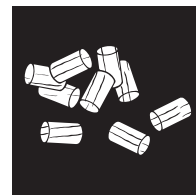


CONNECT PELLET F22 / F38



Operating manual



TABLE OF CONTENTS

1. EXPLANATIONS TO SYMBOLS	3
2. TECHNICAL DOCUMENTATION - ECODESIGN	4
3. TECHNICAL DATA	8
Spare part overview exploded diagram.....	8
MULTIAIR.....	12
Flue pipe connection top - RAO.....	12
Spare part overview - article numbers.....	13
Dimensions.....	16
Amount of fuel F22 / F38.....	16
Technical data.....	16
Packaging.....	16
Electrical connection.....	16
4. INSTALLING THE STOVE	17
Connection to the chimney.....	17
Connecting to a steel chimney.....	17
Combustion air.....	17
Feeding in external combustion air.....	17
5. IMPORTANT INFORMATION	18
General warning and safety information.....	18
First heating.....	18
Safety distances.....	18
Prior to set up.....	19
The correct chimney connection.....	19
Convection air conduction.....	19
6. BRIEF INFORMATION ON FUEL - PELLETS	20
What are pellets?.....	20
Wood pellet specification according to ENplus – A1.....	20
Pellet container refilling during operation.....	20
Pellet storage.....	20
7. TECHNOLOGY AND SAFETY FUNCTIONS	21
Operating comfort.....	21
Top efficiency - lowest emissions.....	21
DAR - Dynamic Air Regulation.....	21
Pressure monitoring.....	21
Low-temperature shutdown.....	21
Electrical excess current protection.....	21
Automatic cleaning cycle.....	21
Component monitoring.....	21
Auger motor monitoring.....	21
Power failure (during heating).....	21
Power failure (during the initial stage).....	21
8. ASSEMBLY RIKA MULTIAIR	22
Scope of Delivery E15633.....	22
General information.....	23
Mounting Convection Fan.....	23

9. COMFORT OPTIONS	26
Room sensor, Radio room sensor.....	26
Interface for various options.....	26
External request.....	26
Serial interface.....	26
USB connection.....	26
External room thermostat.....	26
External connection cable bridge.....	26
Option RIKA FIRENET 2nd Generation.....	26
RIKA VOICE.....	26
10. MAINTENANCE	27
Open the combustion chamber door.....	27
Cleaning the fire trough.....	27
Cleaning the flame temperature sensor.....	27
Empty the ash drawer.....	27
Cleaning the door glass.....	27
Cleaning painted surfaces.....	27
11. CLEANING	28
Cleaning the convection air openings.....	28
Combustion air - intake.....	28
Cleaning the pellet container.....	28
Cleaning the flue gas channels.....	28
Check seals.....	28
Check bearings.....	28
Cleaning flue gas paths.....	29
12. PROBLEMS - POSSIBLE SOLUTIONS	30
Problem 1.....	30
Problem 2.....	30
Problem 3.....	30
13. INSTRUCTIONS FOR COMMISSIONING PROTOCOL	31
Operator instruction.....	31
14. GUARANTEE CONDITIONS	33
15. WARRANTY CONDITIONS	33
16. DISPOSAL INFORMATION	34
Information on the individual components of the device.....	34
Extract from the waste code of the European Waste List Regulation.....	34
Electronic Waste.....	34
17. COMPLIANCE WITH EU REGULATIONS	34

1. EXPLANATIONS TO SYMBOLS



...Important note



...Hex
#8, #10, #13



...dispose



...Hexalobular
#25



...useful tip



...Hacksaw



...manually



...Open-end wrench
#13

Contact details of the manufacturer

Manufacturer:	RIKA Innovative Ofentechnik GmbH
Contact:	Andreas Bloderer
Address:	Müllerviertel 20 4563 Micheldorf Austria

Details of the device

Model Identifier:	CONNECT PELLET F22 / CONNECT PELLET F38
Equivalent models:	-
Notified body:	Technische Universität Wien, Getreidemarkt 9/166, 1060 Wien, Austria
Notified body no.:	1746
Test report no.:	PL-21052-1-P
Applied harmonised standards:	EN14785:2006
Other applied standards/technical specifications:	-
Indirect heating functionality:	Nein
Direct heat output:	8kW
Indirect heat output:	-

Characteristics when operating with the preferred fuel

Seasonal space heating energy efficiency η_s :	81,0%
Seasonal space heating energy efficiency RIKATRONIC η_s :	-
Energy Efficiency Index:	122

Special precautions for assembly, installation or maintenance

<p>Fire protection and safety distances such as distances to combustible building materials must be observed!</p> <p>An adequate supply of combustion air for the appliance must be guaranteed at all times. Air-suction systems can interfere with the combustion air supply!</p> <p>The flue gas values of the appliance must be observed for the chimney dimensioning!</p>

Characteristics when operating exclusively with the preferred fuel

Heat output			
Nominal heat output	P_{nom}	8	kW
Minimum heat output	P_{min}	2,5	kW
Useful efficiency			
Useful efficiency at nominal heat output	$\eta_{th,nom}$	91,5	%
Useful efficiency at minimum heat output	$\eta_{th,min}$	93,5	%
Auxiliary electricity consumption			
At nominal heat output	$e_{l,max}$	0,02	kW
At minimum heat output	$e_{l,min}$	0,01	kW
In standby mode	$e_{l,SB}$	0,003	kW
Permanent pilot flame power requirement			
Pilot flame power requirement	P_{pilot}	n.A.	kW

Type of heat output/room temperature control	
single stage heat output, no room temperature control	Yes
two or more manual stages, no room temperature control (**)	No
with mechanic thermostat room temperature control (**)	No
with electronic room temperature control (**)	No
with electronic room temperature control plus day timer (**)	No
with electronic room temperature control plus week timer (**)	No
Room temperature control with presence detection (**)	No
Room temperature control with open window detection (**)	No
with remote control options (**)	No

Details of the fuel

Fuel	Preferred fuel:	Other suitable fuel:	η_s [%]	Space heating emissions at nominal heat output (*)				Space heating emissions at minimum heat output (*)(**)			
				PM	OGC	CO	NO _x	PM	OGC	CO	NO _x
				mg/Nm ³ (13% O ₂)				mg/Nm ³ (13% O ₂)			
Wood logs, moisture content ≤ 25 %	No	No	-	-	-	-	-	-	-	-	-
Wood logs RIKATRONIC, moisture content ≤ 25 %	No	No	-	-	-	-	-	-	-	-	-
Compressed wood, moisture content < 12 %	Yes	No	81,0	10	3	33	108	-	-	-	-
Other woody biomass	No	No	-	-	-	-	-	-	-	-	-
Non-woody biomass	No	No	-	-	-	-	-	-	-	-	-
Anthracite and dry steam coal	No	No	-	-	-	-	-	-	-	-	-
Hard coke	No	No	-	-	-	-	-	-	-	-	-
Low temperature coke	No	No	-	-	-	-	-	-	-	-	-
Bituminous coal	No	No	-	-	-	-	-	-	-	-	-
Lignite briquettes	No	No	-	-	-	-	-	-	-	-	-
Peat briquettes	No	No	-	-	-	-	-	-	-	-	-
Blended fossil fuel briquettes	No	No	-	-	-	-	-	-	-	-	-
Other fossil fuel	No	No	-	-	-	-	-	-	-	-	-
Blended biomass and fossil fuel briquettes	No	No	-	-	-	-	-	-	-	-	-
Other blend of biomass and solid fuel	No	No	-	-	-	-	-	-	-	-	-

(*) PM = dust, OGC = gaseous organic compounds, CO = carbon monoxide, NO_x = nitrous gases
 (**) Only required when applying correction factors F(2) or F(3)

Signed for and on behalf of the manufacturer by:
 Andreas Bloderer / product management

Micheldorf, 07.12.2021



Innovative Ofentechnik GmbH
 A-4563 Micheldorf, Müllerviertel 20
 Tel: +43 (0)7582/686-14, Fax DW: -43
 www.rika.at

In case of doubt as well as missing or incorrect translations, the German version is the only valid one.
 Subject to technical and visual changes as well as layout and printing errors.

© 2021 | RIKA Innovative Ofentechnik GmbH

Contact details of the manufacturer

Manufacturer:	RIKA Innovative Ofentechnik GmbH
Contact:	Andreas Bloderer
Address:	Müllerviertel 20 4563 Micheldorf Austria

Details of the device

Model Identifier:	CONNECT PELLET F22 / CONNECT PELLET F38 6 kW
Equivalent models:	-
Notified body:	Technische Universität Wien, Getreidemarkt 9/166, 1060 Wien, Austria
Notified body no.:	1746
Test report no.:	PL-21052-2-P
Applied harmonised standards:	EN14785:2006
Other applied standards/technical specifications:	-
Indirect heating functionality:	Nein
Direct heat output:	6 kW
Indirect heat output:	-

Characteristics when operating with the preferred fuel

Seasonal space heating energy efficiency η_s :	80,7 %
Seasonal space heating energy efficiency RIKATRONIC η_s :	-
Energy Efficiency Index:	122
Energy Efficiency Index RIKATRONIC:	-

Special precautions for assembly, installation or maintenance

<p>Fire protection and safety distances such as distances to combustible building materials must be observed!</p> <p>An adequate supply of combustion air for the appliance must be guaranteed at all times. Air-suction systems can interfere with the combustion air supply!</p> <p>The flue gas values of the appliance must be observed for the chimney dimensioning!</p>

Characteristics when operating exclusively with the preferred fuel

Heat output			
Nominal heat output	P_{nom}	6	kW
Minimum heat output	P_{min}	2,5	kW
Useful efficiency			
Useful efficiency at nominal heat output	$\eta_{th,nom}$	91,4	%
Useful efficiency at minimum heat output	$\eta_{th,min}$	93,5	%
Auxiliary electricity consumption			
At nominal heat output	$e_{l,max}$	0,02	kW
At minimum heat output	$e_{l,min}$	0,01	kW
In standby mode	$e_{l,SB}$	0,003	kW
Permanent pilot flame power requirement			
Pilot flame power requirement	P_{pilot}	n.A.	kW

Type of heat output/room temperature control	
single stage heat output, no room temperature control	Yes
two or more manual stages, no room temperature control (**)	No
with mechanic thermostat room temperature control (**)	No
with electronic room temperature control (**)	No
with electronic room temperature control plus day timer (**)	No
with electronic room temperature control plus week timer (**)	No
Room temperature control with presence detection (**)	No
Room temperature control with open window detection (**)	No
with remote control options (**)	No

Details of the fuel

Fuel	Preferred fuel:	Other suitable fuel:	η_s [%]	Space heating emissions at nominal heat output (*)				Space heating emissions at minimum heat output (*)(**)			
				PM	OGC	CO	NO _x	PM	OGC	CO	NO _x
				mg/Nm ³ (13% O ₂)				mg/Nm ³ (13% O ₂)			
Wood logs, moisture content ≤ 25 %	No	No	-	-	-	-	-	-	-	-	-
Wood logs RIKATRONIC, moisture content ≤ 25 %	No	No	-	-	-	-	-	-	-	-	-
Compressed wood, moisture content < 12 %	Yes	No	80,7	5	3	31	112	-	-	-	-
Other woody biomass	No	No	-	-	-	-	-	-	-	-	-
Non-woody biomass	No	No	-	-	-	-	-	-	-	-	-
Anthracite and dry steam coal	No	No	-	-	-	-	-	-	-	-	-
Hard coke	No	No	-	-	-	-	-	-	-	-	-
Low temperature coke	No	No	-	-	-	-	-	-	-	-	-
Bituminous coal	No	No	-	-	-	-	-	-	-	-	-
Lignite briquettes	No	No	-	-	-	-	-	-	-	-	-
Peat briquettes	No	No	-	-	-	-	-	-	-	-	-
Blended fossil fuel briquettes	No	No	-	-	-	-	-	-	-	-	-
Other fossil fuel	No	No	-	-	-	-	-	-	-	-	-
Blended biomass and fossil fuel briquettes	No	No	-	-	-	-	-	-	-	-	-
Other blend of biomass and solid fuel	No	No	-	-	-	-	-	-	-	-	-

(*) PM = dust, OGC = gaseous organic compounds, CO = carbon monoxide, NO_x = nitrous gases

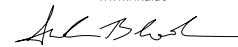
(**) Only required when applying correction factors F(2) or F(3)

Signed for and on behalf of the manufacturer by:
Andreas Bloderer / product management

Micheldorf, 25.04.2022

RIKA[®]

Innovative Ofentechnik GmbH
A-4563 Micheldorf, Müllerviertel 20
Tel.: +43 (0)7582/686-14, Fax DW: -43
www.rika.at



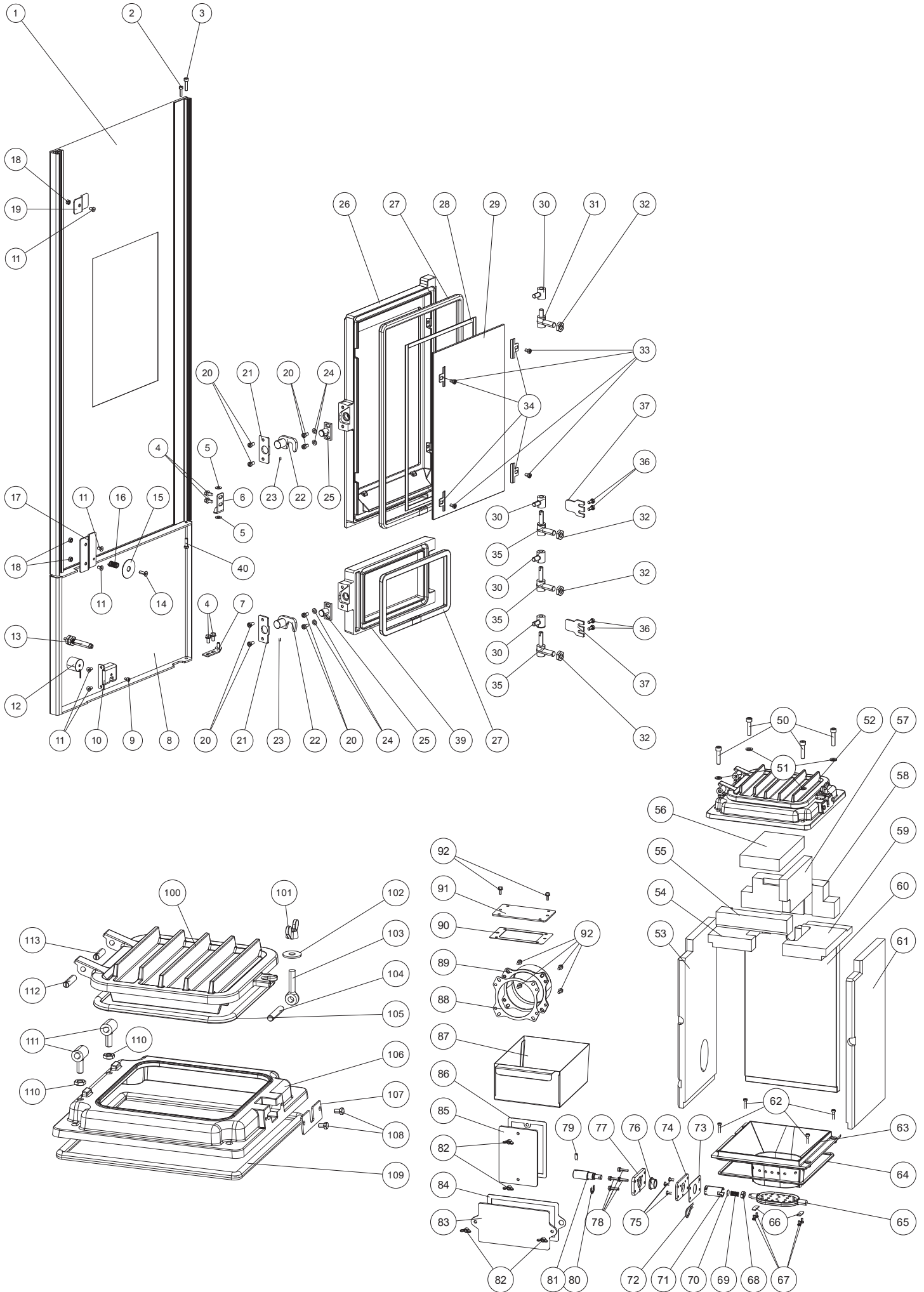
In case of doubt as well as missing or incorrect translations, the German version is the only valid one.

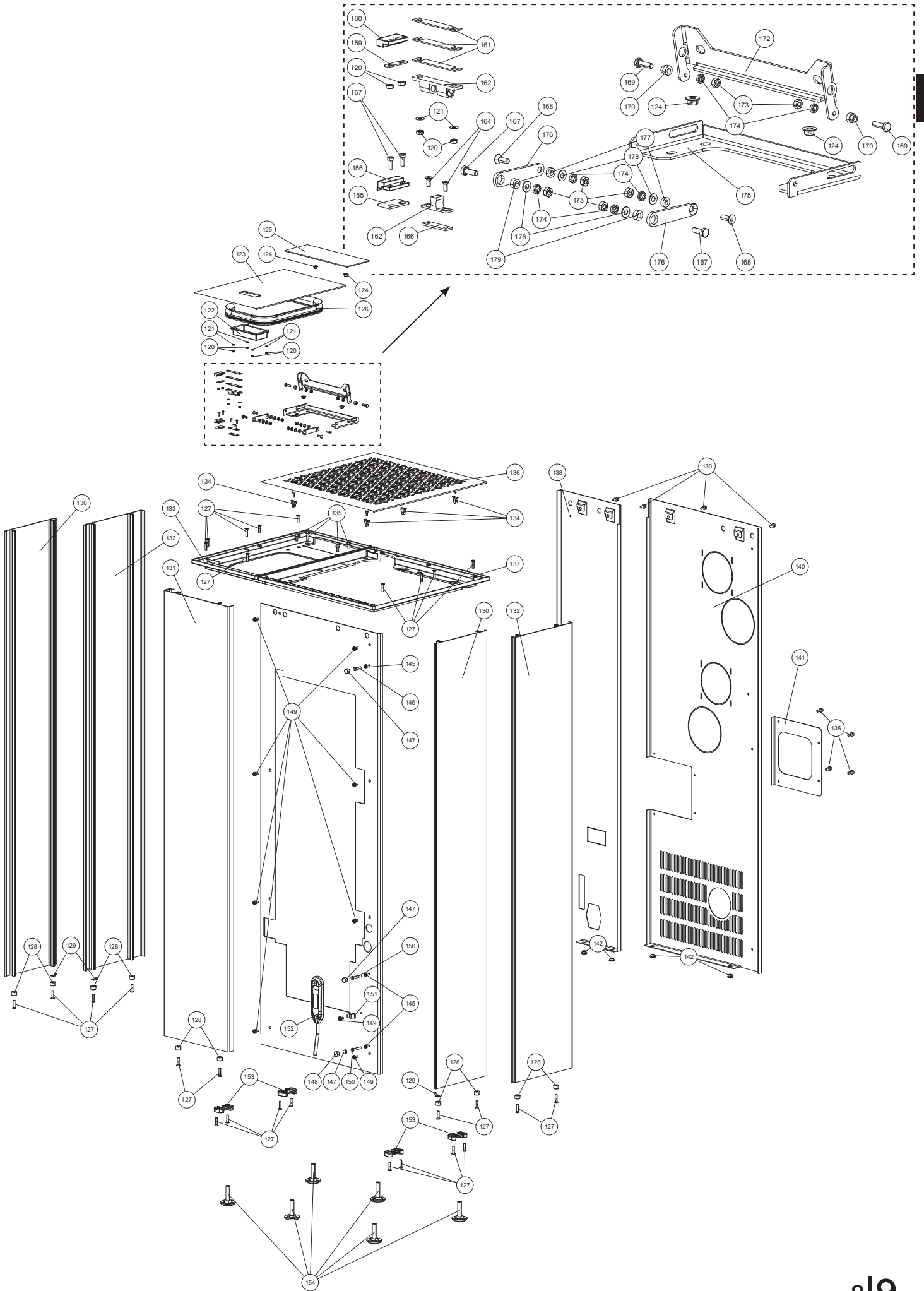
Subject to technical and visual changes as well as layout and printing errors.

© 2021 | RIKA Innovative Ofentechnik GmbH

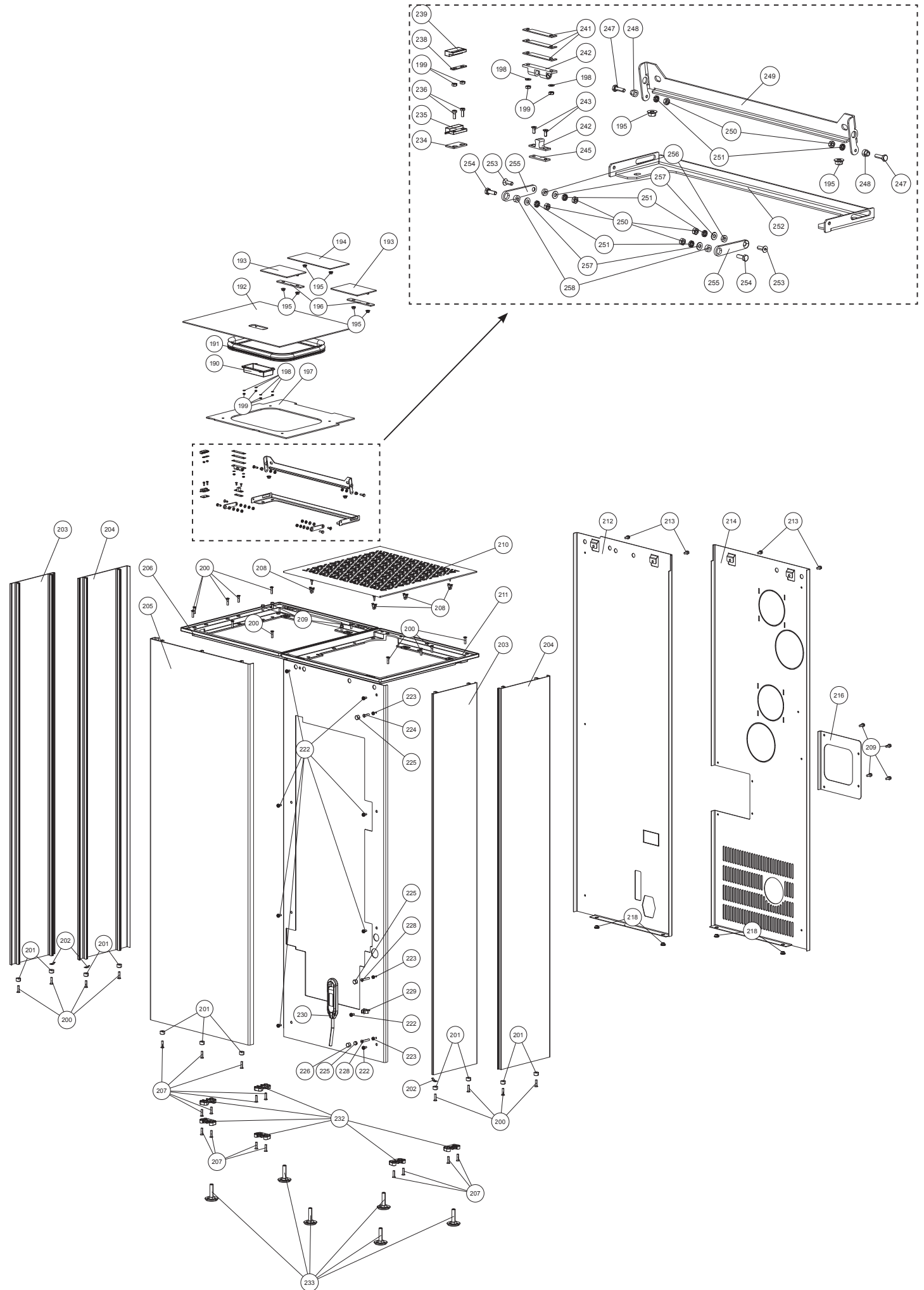
3. TECHNICAL DATA

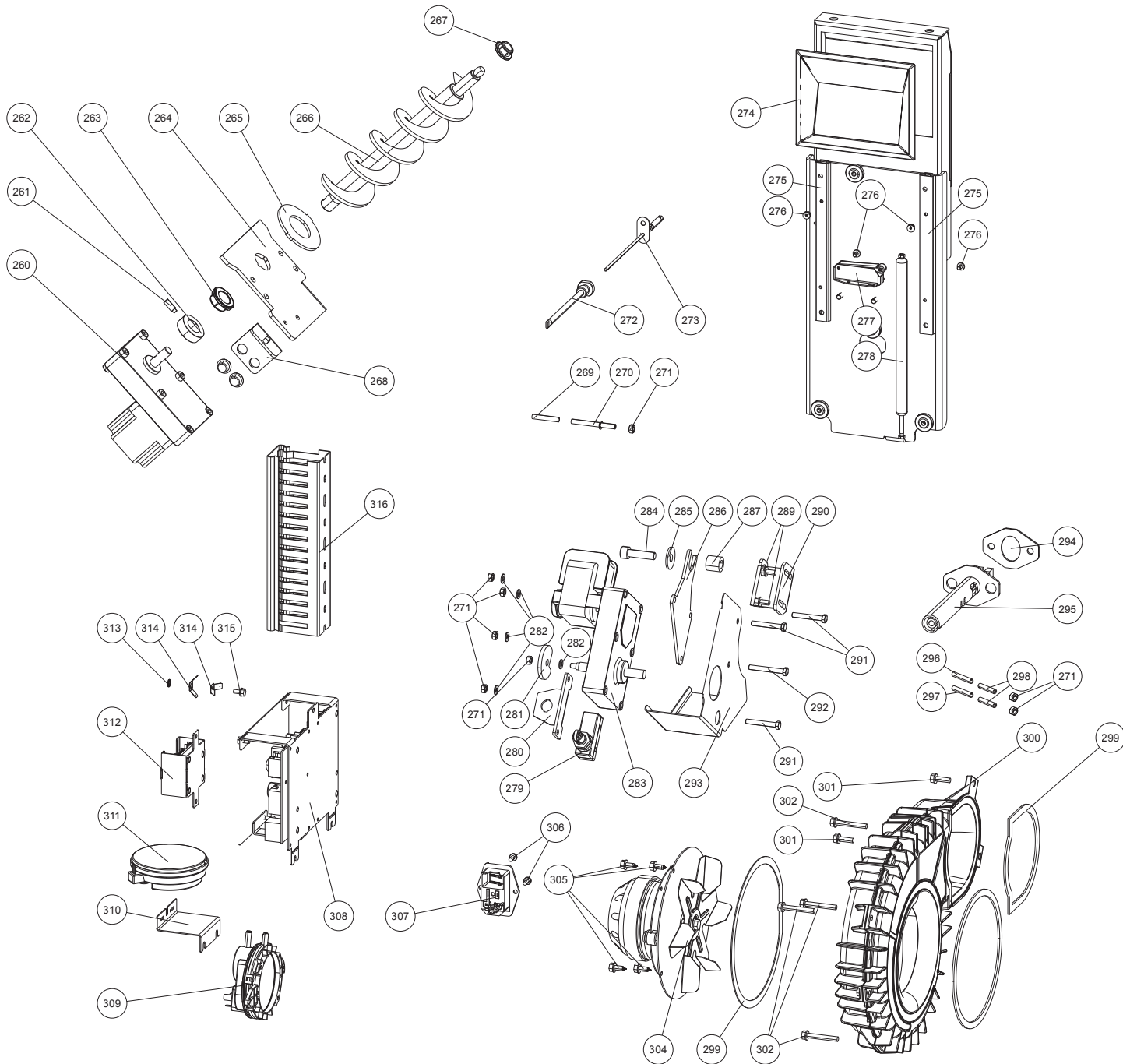
Spare part overview exploded diagram

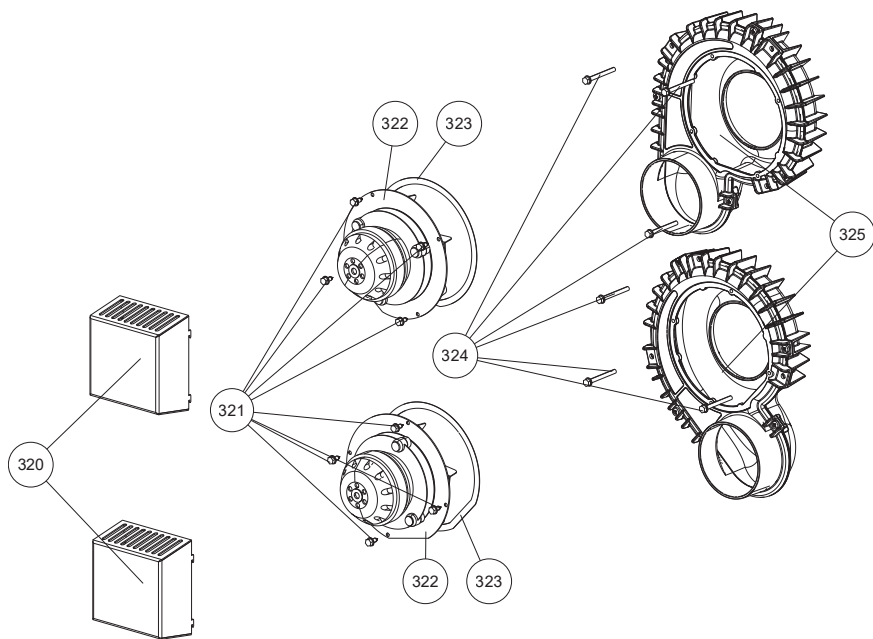




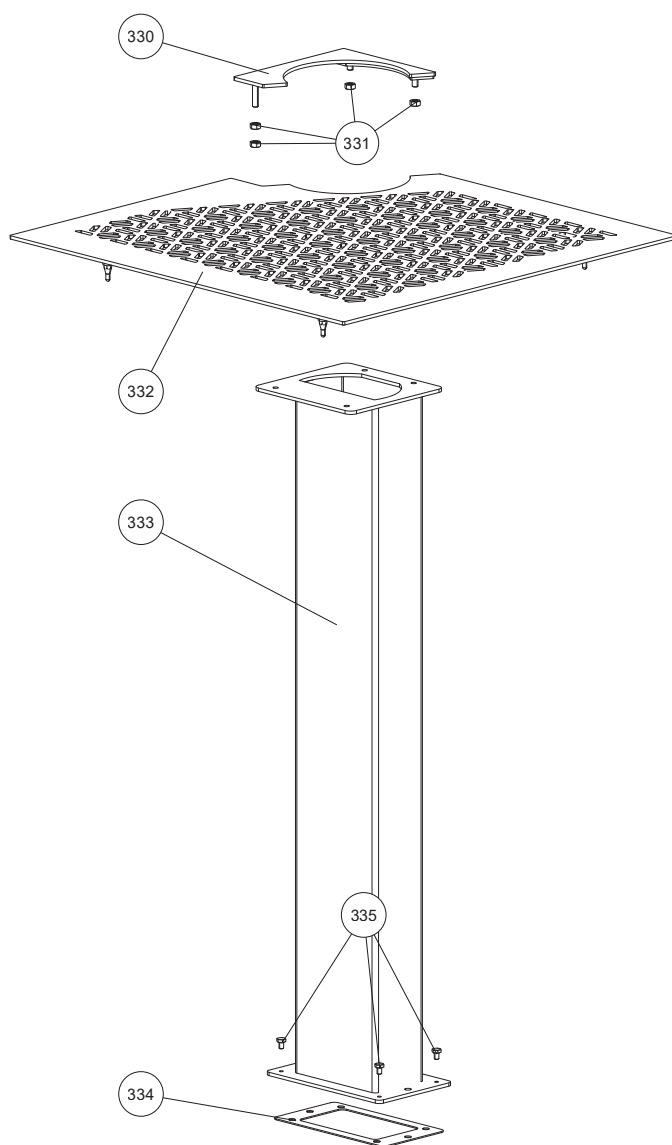
CONNECT PELLET/F38







Flue pipe connection top - RAO



Spare part overview - article numbers

Nr.	Art.Nr.	Description	Nr.	Art.Nr.	Description
1	B19093	Decorative door assy	63	Z38131	Fire trough
2	N111784	Allen screw M04X16	64	N111631	Round sealing cord grey D06
3	N110017	Allen screw M05X20	65	Z38132	Turning grid
4	N112240	Self-tapping screw M05x10	66	L02726	Small plate
5	Z38729	Washer	67	N112415	Hexagonal screw M04X08
6	L03966	Hinge	68	L01875	Driving plate turning grid
7	L03962	Hinge plate	69	N108131	Pressure spring
8	LB00930	Bottom front panel assy	70	L03781	Small plate
9	N111990	Hexagon socket M04X06	71	Z35854	Intermediate shaft turning grid
10	Z38980	Mount electromagnet	72	N112470	Spring clip
11	N108830	Fillister head screw M05x08	73	Z36167	Ceramic seal
12	Z36171	Electromagnet	74	Z35851	Bearing plate
13	B17521	Pressure spring	75	N108485	Allen screw M05X10
14	N112438	Hexagonal countersunk screw M05X16	76	N102688	Sinter bearing ID16
15	L02714	Magnet washer	77	L02642	Bearing holder plate
16	N108131	Pressure spring	78	N112160	Self-tapping screw M05X20
17	L04055	Door stop bottom	79	N112499	Grub screw M6x16
18	N112274	Hexagonal nut M05	80	N112125	Circlips
19	L04056	Door stop top	81	Z38161	Drive shaft
20	N112190	Hexagon socket screw M05X10	82	N112077	Wing nut
21	L02647	Closure plate	83	Z36000	Cleaning cover
22	B17407	Shutter	84	Z36566	Sealing
23	N111956	Grub screw	85	Z35999	Cleaning cover
24	N111965	Washer M05	86	Z36567	Sealing
25	Z14921	Closure plate	87	L03782	Ash drawer
26	Z35464	Combustion chamber door black	88	Z37830	Pipe adapter seal
27	N112551	Round sealing strip grey D11 (1m)	89	Z37609	Flue pipe attachments
28	N103693	Flat seal black 8x2	90	Z38728	Seal
29	Z35856	Front door glass	91	Z38979	Cleaning opening
30	B17524	Hinge black	92	N108313	Self-tapping screw M05x12
31	B17405	Hinge	100	Z36921	Cleaning opening
32	N111780	Hexagonal nut	101	N112387	Wing nut
33	N112201	Hexagon socket screw M05X08	102	N111843	Washer M08
34	L00475	Glass holder	103	N112386	Swing bolt M08X40
35	B15825	Hinge BA1	104	N112390	Cylindrical pin
36	N111950	Hexagonal screw M05x10	105	N112551	Round sealing strip grey D11 (1m)
37	L02645	Door stop base plate	106	Z38133	Combustion chamber lid
39	Z35465	Front door black assy	107	Z36922	Holder plate
40	N112140	Hexagonal screw M05X16	108	N111964	Hexagonal screw M05X08
50	N112047	Hexagon socket screw M08x35	109	N107048	Sealing cord black D10
51	N105049	Flat washer black	110	N112696	Hexagonal nut M08
52	B18720	Combustion chamber lid assy	111	B18133	Hinge
53	Z38166	Firebrick lining left	112	N112428	Headless screw M08X25
54	Z38171	Baffle plate left	113	N112427	Headless screw M08X30
55	Z38170	Firebrick lining front	120	N112143	Hexagonal nut M03
56	Z38370	Firebrick lining cover	121	N112144	Washer M03
57	Z38168	Firebrick lining cover right	122	Z36111	Cover
58	Z38169	Firebrick lining rear	123	LB00964	Container lid F22/E26
59	Z38172	Baffle plate right		B19219	Container lid assy F22
60	Z38134	Cast rear panel black	124	N112142	Flange nut
61	Z38167	Firebrick lining right	125	LB00931	Cover display case F22/E26
62	N112707	Allen screw M05X20	126	N112600	Container seal

Note: Please consider the powdercoated parts can differ slightly in colour and colour effects though they are elaborated in high quality. Fairing parts with minor damage cannot be repaired and must therefore be replaced as spare parts. There is no matching RAL colour for the painted fairing parts.

Nr.	Art.Nr.	Description
127	N112082	Self-tapping screw M05X20
128	Z37327	Centre sleeve
129	Z27423	Ground connection
130	Z38710	Side casing front left/right
131	Z38712	Casing front
132	Z38708	Side casing rear left/right
133	Z38695	Cover frame pellet container
134	Z36001	Snap spring
135	N111793	Self-tapping screw M05X12
136	B19095	Convection cover
137	Z38693	Cover frame convection cover
138	L04057	Rear wall left F22/E26/F38/E40
139	N106472	Self-tapping screw M05x10
140	L04058	Rear wall right F22/F38
141	L03974	Cover
142	N111730	Grommet
145	N112274	Hexagonal nut M05
146	N111870	Hexagon socket screw M5x20
147	B18879	Magnet
149	N112185	Self-tapping screw M05x10
150	N112830	Hexagon socket screw M05X30
151	Z35691	Spring plug
152	N112018	Key
153	Z38941	Bracket
154	N112490	Levelling screw black
155	L01445	Switch spacer
156	N111733	Magnetic switch bottom part
157	N112165	Hexagon socket screw M03X08
159	L02310	Guard plate
160	N111732	Magnetic switch top part
161	L02349	Lock washer
162	N110461	Double ball catch
164	N111459	Allen screw M03X08
166	L01502	Lock washer
167	N109390	Hexagonal screw M04X12
168	N111856	Hexagonal countersunk screw M04x12
169	N112723	Hexagonal screw M04X14
170	Z38165	Hinge pin
172	L04059	Hinge F22/E26
173	N104971	Hexagonal nut M04
174	N112071	Wedge retaining ring
175	L04060	Hinge guidance F22/E26
176	L03812	Hinge part
177	Z34490	Spacer
178	N103482	Washer
179	Z34489	Spacer
190	Z36111	Cover
191	N112600	Container seal
192	LB00965	Container lid F38
	B19220	Container lid assy F38
193	LB00934	Cover top left/right F38/E40
194	LB00933	Cover display case F38/E40
195	N112142	Flange nut
196	L03975	Small plate

Nr.	Art.Nr.	Description
197	L04061	Container lid cover plate bottom F38
198	N112144	Washer M03
199	N112143	Hexagonal nut M03
200	N112082	Self-tapping screw M05X20
201	Z37327	Centre sleeve
202	Z27423	Ground connection
203	Z38710	Side casing front left/right
204	Z38708	Side casing rear left/right
205	Z38680	Casing front
206	Z38694	Cover frame pellet container
208	Z36001	Snap spring
209	N111793	Self-tapping screw M05X12
210	LB00932	Convection cover
211	Z38693	Cover frame convection cover
212	L04057	Rear wall left F22/E26/F38/E40
213	N106472	Self-tapping screw M05x10
214	L04058	Rear wall right F22/F38
216	L03974	Cover
218	N111730	Grommet
222	N112185	Self-tapping screw M05x10
223	N112274	Hexagonal nut M05
224	N111870	Hexagon socket screw M5x20
225	B18879	Magnet
228	N112830	Hexagon socket screw M05X30
229	Z35691	Spring plug
230	N112018	Key
232	Z38941	Bracket
233	N112490	Levelling screw black
234	L01445	Switch spacer
235	N111733	Magnetic switch bottom part
236	N112165	Hexagon socket screw M03X08
238	L02310	Guard plate
239	N111732	Magnetic switch top part
241	L02349	Lock washer
242	N112772	Double ball catch
243	N111459	Allen screw M03X08
245	L01502	Lock washer
247	N112723	Hexagonal screw M04X14
248	Z38165	Hinge pin
249	L04063	Hinge F38/E40
250	N104971	Hexagonal nut M04
251	N112071	Wedge retaining ring
252	L04064	Hinge guidance F38
253	N111856	Hexagonal countersunk screw M04x12
254	N109390	Hexagonal screw M04X12
255	L03812	Hinge part
256	Z34490	Spacer
257	N103482	Washer
258	Z34489	Spacer
260	N112030	Screw motor, stepless
261	N112499	Grub screw M6x16
262	Z11915	Lock ring conveyer screw
263	Z35182	Friction bearing D16
264	L03710	Retaining plate motor

Note: Please consider the powdercoated parts can differ slightly in colour and colour effects though they are elaborated in high quality. Fairing parts with minor damage cannot be repaired and must therefore be replaced as spare parts. There is no matching RAL colour for the painted fairing parts.

Nr.	Art.Nr.	Description
265	Z31674	Centring plate
266	B16967	Auger
267	Z35183	Friction bearing D10
268	L03711	Pressure bracket
269	N111551	Silicon hose
270	Z36760	Pressure Pipe
271	N112274	Hexagonal nut M05
272	B16053	Sensor tube
273	B16114	Temperature sensor
274	B16574	Touch-display plug-in
275	N112471	Slide
276	N104477	Allen screw M04X06
277	N112832	Shutter
278	N112831	Gas spring
279	N111825	Contact switch
280	L02644	Retaining plate
281	L02646	Actuating cam turning grid
282	N100170	Washer M05
283	N112014	Turning grid motor assy
284	N112378	Hexagon socket screw M08X30
285	N112487	Washer
286	L02643	Motor plate
287	Z18105	Hose
289	N106472	Self-tapping screw M05x10
290	L03902	Mount
291	N111806	Hexagonal screw M05X35
292	N101570	Hexagonal screw M05x40
293	L03484	Heat protection
294	Z36290	Seal for ignition
295	B17166	Ceramic ignition
296	N112795	Silicon hose red
297	N112796	Silicon hose blue
298	Z37701	Pressure Pipe
299	N100475	Flat packing white 8x2
300	B16951	Induced draft fan housing
301	N110833	Self-tapping screw M05X16
302	N111804	Self-tapping screw M05X35
304	N111581	Induced draft fan motor
305	N106989	Hexagonal screw
306	N112703	Self-tapping screw M04x08
307	Z38387	IEC mains socket
308	B16561	Mainboard USB11
309	N112102	Differential pressure switch
310	L03638	Holder plate
311	N112473	Differential pressure sensor
312	B16030	Additional motherboard for motor, incl. cable
313	N101888	Washer M04

Nr.	Art.Nr.	Description
314	N111478	Ground connection
315	N111836	Self-tapping screw M04x08
316	Z38821	Cable channel

MULTIAIR

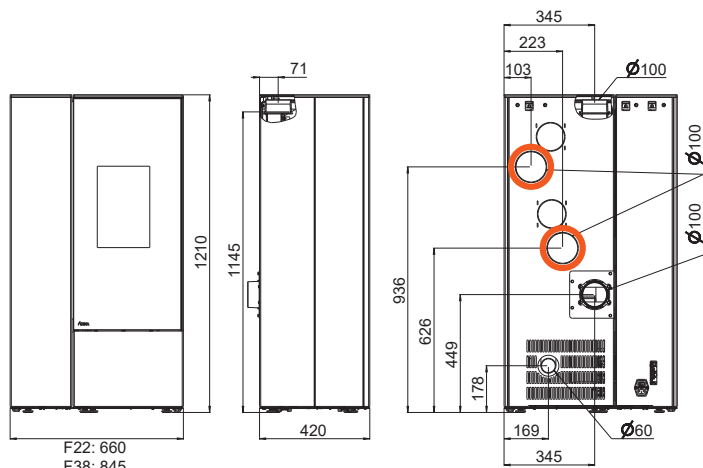
320	Z36003	Fan motor cover
321	N106989	Hexagonal screw
322	N112000	Fan motor
323	N100475	Flat packing white 8x2
324	N112040	Self-tapping screw M06x50
325	B17370	Induced draft fan housing

Version RAO

330	LB00957	Cover assy
331	N112274	Hexagonal nut M05
332	B19103	Convection cover
333	Z38990	RAO pipe
334	Z38728	Seal
335	N111981	Hexagonal screw M04X6

Note: Please consider the powdercoated parts can differ slightly in colour and colour effects though they are elaborated in high quality. Fairing parts with minor damage cannot be repaired and must therefore be replaced as spare parts. There is no matching RAL colour for the painted fairing parts.

Dimensions



Dimensions

Height	[mm]	1210
Width F22/F38	[mm]	660/845
Corpus Depth	[mm]	420

Weight

Weight F22/F38	[kg]	170/185
----------------	------	---------

Flue pipe connection

Flue Pipe Outlet	[mm]	100
Rear Connection Height	[mm]	449
Rear Connection - side Distance	[mm]	345
Top connection Height	[mm]	1145
Top connection - Distance to rear wall	[mm]	71
Top connection - side Distance	[mm]	345

Fresh air connection

Diameter	[mm]	60
Connection Height	[mm]	178
Side Distance	[mm]	169

Convection air connection MULTIAIR

Diameter	[mm]	100/100
Connection height	[mm]	936/626
Side distance	[mm]	103/223

Amount of fuel F22 / F38

	Nominal load	Part load
Amount of fuel	~1,9 kg/h*	~0,6 kg/h*
Burn time at full pellet hopper	~12 h* / ~20 h*	~36 h* / ~60 h*

*Practical values may vary depending on pellet quality.

Note

Pellet consumption depends on the size of the pellets. The larger the pellet, the slower the feed and vice versa.

Technical data

Technical data		8 kW	6 kW
Heating power range	[kW]	2,5 - 8	2,5 - 6
Fresh air demand	[m³/h]	18	13
MULTIAIR-Output*	[kW]	0,6 - 4,0	0,6 - 3,0
MULTIAIR-Air volume*	[m³/h]	50 - 170	50 - 170
Room heating capacity (depending on house insulation)	[m³]	50 - 220	50 - 160
Fuel consumption	[kg/h]	≤1,9	≤1,3
Pellet container capacity** /F22	[l]/[-kg]	34/~22	34/~22
Pellet container capacity** /F38	[l]/[-kg]	58/~38	58/~38
Electric supply	[V]/[Hz]	230/50	230/50
Average electrical input	[W]	20	20
Fuse	[A]	2,5 AT	2,5 AT
Efficiency	[%]	91,5	91,4
CO ₂	[%]	12,6	9,8
CO-emission on 13% O ₂	[mg/m _N ³]	33	31
Dust emission	[mg/m _N ³]	10	5
Exhaust	[g/s]	5,1	4,7
Exhaust temperature	[°C]	198,8	165,7
Chimney draft requirement	[Pa]	3	3

*with a two meter MULTIAIR line in combination with RIKA design outlet, values may differ in practice.

**The capacity in kg may deviate due to different pellet bulk densities.

The owner of small firing systems or the person authorised for the small firing system is to keep the technical documentation and is to submit it to the authorities or the chimney sweep on request.

Note

Please observe the national and European standards as well as local regulations concerning the installation and operation of firing installations!

Packaging

Your first impression is important to us!

The packaging of your new stove provides excellent protection against damage. However damage to the stove and accessories may still occur during transport.

Note

Therefore please check your stove on receipt for damage and completeness! Report any deficiencies to your dealer immediately! Pay particular attention during unpacking that the stone panels remain intact. Scratches to the material can easily occur. Stone panels are excluded from the warrant.

The packaging of your new stove is environmentally neutral to a great extent.

Tip

The wood used in the packaging has not been surface treated and may therefore be burnt in your woodburning stove (not in pellet stoves!). The cardboard and film (PE) can be depolluted via the municipal waste collection for recycling.

Electrical connection

The stove is supplied with an approx. 2 m long connecting cable with a Euro-plug. This cable is to be connected to a 230 Volt / 50 Hz socket. The average electrical power consumption is about 20 Watt in heating operation and approx. 150 Watt during automatic ignition. The connection cable must be laid in a way that there is no contact to any sharp edges or hot surfaces of the stove.

4. INSTALLING THE STOVE

Note

Assembly may only be performed by authorised specialist companies.

Note

Please observe the regional safety and building regulations. Please contact your master chimney sweep in this context.

Note

Only use heat-resistant sealing materials as well as corresponding sealing strips, heat-resistant silicon and rock wool.

Note

Also take care that the flue does not project into the free cross-section of the chimney.

Note

In case of room-air independent operation the stove pipe connections must be tightly sealed permanently. Use a heat-proof silicon to position the stove pipe on the conical supports of the flue tube nozzles and for insertion in the chimney flue lining.

Note

The stove should not be pushed on unprotected floors.

Tip

Strong corrugated cardboard, cardboard or e.g. old carpet is useful to assist assembly and as a base. The stove can also be pushed on this cardboard or carpet.

We recommend original flue pipes from RIKA for proper connection.

Connection to the chimney

- The device must be connected to a flue that is approved for solid fuels and is insensitive to moisture. The moisture insensitivity may vary if the flue calculation results in a dry operation. The chimney must have a diameter of min. 100 mm for pellet stoves and 130 mm -150 mm for log wood stoves depending on the diameter of the flue pipes.
- Avoid long flue pipes to the chimney. The horizontal length of the flue pipe should not exceed 1.5 metres.
- Avoid too many bends of the flue gas pipes. There should not be more than 3 bends in the exhaust pipe.
- Please use a connection with a cleaning opening.
- Connections must be made of metal and must meet the requirements of the standard (install the connections airtight).
- Before installing a chimney calculation must be made. The evidence must be performed for single occupancy to EN13384-1 and EN13384-2 for multiple occupancy.
- The maximum draft of the chimney should not exceed 15 Pa.
- The derivation of the flue gases must be guaranteed even during a temporary power outage.

Note

If connecting to multiple connection chimneys and depending on country regulations, additional safety equipment is required. Your local chimney sweep will advise you in this case.

Note

Be sure to prevent condensed water from entering via the flue connection. For combination stoves, a condensate collection pipe must be used for ceiling connection or flue pipe connection at the top. Damages caused by condensate are excluded from manufacturer's warranty.

Connecting to a steel chimney

The connection must be calculated and shown with EN13384-1 and EN13384-2.

Use only insulated (double) stainless steel tubes (flexible aluminum or steel tubes are not permitted).

An inspection door for regular inspection and cleaning must be present.

The flue pipe connection to the chimney has to be air-tight.

Combustion air

Every combustion process requires oxygen from the surrounding air. This so-called combustion air is removed from the living area in the case of individual stoves without external air connections.

This air removed must be replaced in the living space. Very tightly sealed windows and doors in modern flats may mean that too little air replaces that used. The situation also becomes problematical due to additional venting in flats (e.g. in the kitchen or WC). If you cannot feed in external combustion air, then air the room several times a day to prevent negative pressure in the room or poor combustion.

Feeding in external combustion air

only for devices which are able to run in room-air independent operation.

- Combustion air must be fed to the stove from outside via a sealed pipe for operation independent of the room air. According to EnEV, it must be possible to shut off the combustion air pipe. The open/closed setting must be clearly recognisable.
- Connect at the air intake either a pipe \varnothing 125 mm for log wood and combi stoves, or \varnothing 50 mm or \varnothing 60 mm for pellet stoves. Fix it with a hose clamp (not included!). At pellet stoves with longer intake pipes than 1 m the diameter should be increased to 100 mm. (see RIKA range).
- To ensure sufficient air intake, the intake pipe should not exceed max. 4 metres and have max. 3 bends.
- If the line leads outside it must have a windbreak.
- In extreme cold pay attention to icing on the air intake opening (check).
- It is also possible to suction in combustion air directly from another sufficiently vented room (e.g. cellar).
- The combustion air pipe must be tightly connected (adhesive or cement) permanently to the air nozzles of the stove.
- If you do not use the stove for a long time, please close the combustion air intake to prevent the stove from moisture.

Note

Please note that problems may arise due to updrafts in the case of combustion air supply from an integrated chimney ventilation shaft. If the combustion air flowing downwards is heated it may rise and thus counter the chimney with a resistance which in turn reduces the negative pressure in the combustion chamber. The chimney manufacturer is to guarantee that the resistance for the combustion air is a maximum 2 Pa even in the least favourable operating state of the chimney.

If one or more of these conditions does NOT apply, the result is poor combustion in the stove and negative pressure in the installation room.

5. IMPORTANT INFORMATION

General warning and safety information

Observance of the introductory general warning information is imperative.

- Read the entire manual thoroughly before installing and putting the stove into service. Observe the national provisions and laws as well as the regulations and rules applicable locally.
- RIKA stoves should only be installed in rooms with normal humidity (dry areas according to VDE 0100 Part 200). The furnaces are not splash water protected and may not be installed in wet areas.
- Only approved transport equipment with sufficient load carrying capacity may be used with your heating appliance.
- Your heating appliance is not suitable for use as a ladder or stationary scaffolding.
- The burning of fuel releases heat energy that lead to extensive heating of the stove surfaces, doors, door and operating handles, glass, flue pipes and possibly the front wall. Refrain from touching these parts without appropriate protective clothing or equipment e.g. heat-resistant gloves or means of operation (operating handle).
- Make your children aware of this particular danger and keep them away from the stove during heating.
- Only burn approved heating materials.
- The combustion or introduction of highly flammable or explosive materials such as empty spray cans etc. in the combustion chamber and storing them near the stove is strictly prohibited due to the danger of explosion.
- No light or inflammable clothing is to be worn when post-heating.
- Use the heat-resistant gloves supplied to open the doors of your stove.
- Make sure that no embers fall out of the combustion chamber onto inflammable material.
- Placing non-heat resistant objects on the stove or near it is prohibited.
- Do not place clothing on the stove to dry.
- Laundry racks etc. must be placed at a sufficient distance to the stove – ACUTE DANGER OF FIRE!
- When your stove is burning, the use of highly inflammable and explosive materials in the same or adjacent rooms is prohibited.
- If the stove is heated in continuous operation, the cleaning intervals are shorter. Increased wear, especially of the thermally stressed parts, is the result. Please therefore strictly follow the requirements for cleaning and maintenance!

Note

Waste and liquids may not be burnt in the stove!

Note

To prevent your stove from overheating of the internal components, do never cover the convection fins!

Note

CAUTION when filling the pellet container. The opening of the pellet container is sufficiently dimensioned to ensure easy filling. Take great care that no pellets drop to the convection fins and the hot stove body. This can cause a lot of smoke.

Tip

Therefore we recommend refilling the pellet container at a cold stove.

Note

Your stove will expand and contract during the heating and cooling phase. This can sometimes lead to slight bending or cracking noises. This is normal and is no reason for a complaint.

First heating

The stove body, just as various steel parts, cast iron parts and the flue pipes are painted with a heat resistant paint. During the first heating the paint dries out completely. This may cause a slight smell. Touching or cleaning the painted surfaces during the curing should be avoided. The hardening of the paint is finished after the first heating with high power.

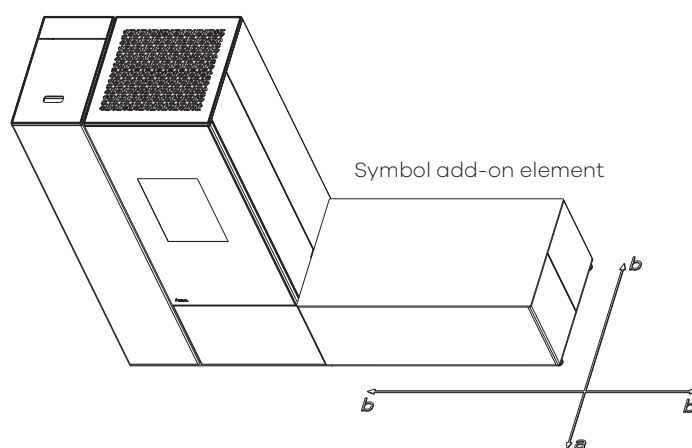
Safety distances

Note

1. To non-combustible objects
 $a > 40 \text{ cm}$, $b > 7 \text{ cm}$
2. To combustible objects and reinforced concrete load-bearing walls
 $a > 80 \text{ cm}$, $b > 7 \text{ cm}$

Tip

Please observe a minimum distance of 20 cm behind and sideways the stove for maintenance.



Prior to set up

Floor bearing capacity

Ensure that the substructure is capable of bearing the weight of the stove prior to set-up.

Note

No modifications may be made to the firing installation. This also leads to loss of warranty and guarantee.

Floor protection

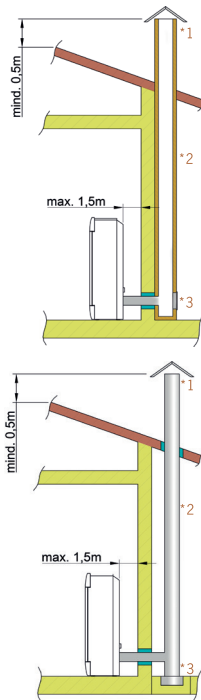
A glass, sheet steel or ceramic plate is recommended, if the floor is combustible (wood, carpet, etc.). Please observe the respective local regulations and rules.

Flue pipe connection

- Flue pipes pose a particular source of hazard regarding gas leaks and fire. Get the advice of an authorised specialist company for the layout and assembly.
- Please observe the corresponding installation guidelines for walls panelled with wood when connecting your flue pipes to the stove.
- Observe the formation of flue gas (atmospheric inversion) and draughts when the weather is unfavourable.
- Infeed of too little combustion air can lead to smoke in the rooms or to flue gas leaks. Hazardous deposits in the stove and chimney may also occur.
- If flue gas escapes, let the fire burn out and check whether all the air inlet openings are free and the flue gas pipes and the stove pipe are clean. If in doubt notify the master chimney sweep since draught malfunctions may be connected to your chimney.

The correct chimney connection

There are several ways to connect your stove to the chimney, eg:



1) wind break, 2) chimney, 3) inspection opening

For the selection of the connection and to ensure a proper connection between the stove and chimney, please read the guide „INSTALLING THE STOVE“ or ask your local chimney sweep.

Stoves type 1 (BA 1):

- Suitable for multiple occupancy. (Note the different country regulations.)
- These may only be operated with the combustion chamber door closed.
- The combustion chamber door is to be kept closed when the stove is not in operation.
- Fouling of the chimney i.e. deposits of highly inflammable materials such as soot and tar and subsequently fire in the chimney may occur if the chimney is miscalculated and dimensioned wrong.
- If this occurs, disconnect the mains plug. Phone the fire brigade and get yourself and other residents out of harm's way.

Note

on ROOM-AIR DEPENDENT and ROOM-AIR INDEPENDENT OPERATION:

Your pellet stove has been tested as a room-air independent stove according to EN14785. It can be operated room air dependent or room air independent.

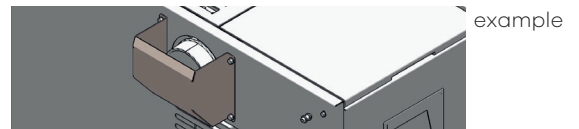
When installed room-air dependent in combination with room-air installations (e.g. controlled ventilation and venting systems (extractors etc.) it must be ensured that the stove and the room air system are monitored and safeguarded mutually (e.g. via a differential pressure controller). The combustion air infeed of approx. 20 m³/h must be ensured.

Please observe the respective local regulations and rules in consultation with your master chimney sweep. For changes after the printing of this manual, we can not assume any liability. We reserve the right to change without notice.

Convection air conduction

Only for stoves with MULTIAIR

The stove is delivered with a cover on the convection air outlet to prevent direct heat to the wall.



Operation without this cover or without attached convection pipes is not allowed. If you do though no warranty and no liability is accepted for damage.

- The amount of air and temperature is designed to heat one additional room.
- Note the regional specific fire safety regulations and clarify the connection situation with the competent authority
- The max. temperature of the convection air is 180° C at the air outlet.
- The convection air should be as short as possible.
- Keep the number of deflections as small as possible.

Note

Please pay attention to the national and country-specific building and fire regulations when connecting the convection air pipes. Installation and assembly must be performed by a trained specialist only.

6. BRIEF INFORMATION ON FUEL - PELLETS

What are pellets?

Wood pellets are a standardised fuel. Every manufacturer must adhere to certain conditions in order to enable flawless, energy-efficient heating. Pellets are made from wooden waste, from sawmills and planning workshops, as well as from residue from forestry operations. These starting products are crushed, dried, and pressed into pellet fuel without any bonding agent.

ENplus – Pellets

This ENplus standard sets benchmarks in the European pellet market. The traceability of pellets is ensured thanks to the use of identification numbers. The pellet manufacturers' production facilities and manufacturing processes are reviewed every year. A quality assurance system ensures the pellets comply with the requirements of the new standard and that the conditions for trouble-free heating are guaranteed.



Wood pellet specification according to ENplus – A1

Parameter	Measure	ENplus-A1
Diameter	mm	6 (± 1) ²⁾
Length	mm	3,15–40 ³⁾
Buld density	kg/m ³	≥ 600
Calorific value	MJ/kg	$\geq 16,5$
Water content	Ma.-%	≤ 10
Fine fraction (< 3,15 mm)	Ma.-%	≤ 1
Mechanical rigidity	Ma.-%	$\geq 97,5$ ⁴⁾
Ash content	Ma.-% ¹⁾	$\leq 0,7$
Ash softening temperature	(DT) °C	≥ 1200
Chlorine content	Ma.-% ¹⁾	$\leq 0,02$
Sulphur content	Ma.-% ¹⁾	$\leq 0,03$
Nitrogen content	Ma.-% ¹⁾	$\leq 0,3$
Copper content	mg/kg ¹⁾	≤ 10
Chrome content	mg/kg ¹⁾	≤ 10
Arsenic content	mg/kg ¹⁾	≤ 1
Cadmium content	mg/kg ¹⁾	$\leq 0,5$
Mercury content	mg/kg ¹⁾	$\leq 0,1$
Lead content	mg/kg ¹⁾	≤ 10
Nickel content	mg/kg ¹⁾	≤ 10
Zinc content	mg/kg ¹⁾	≤ 100

1) in an anhydrous state

2) diameter must be specified

3) a maximum of 1% of the pellets may be longer than 40 mm, max. length is 45 mm

4) the limit value of $\geq 97,7$ Ma.-% applies when conducting measurements with a lignotester (internal control)

Your pellet stove is only approved for the burning of pellets of tested quality. Please ask your pellet stove dealer for tested fuel and a list of monitored fuel manufacturers.

Note

Only burn pellets that have been inspected according to ENplus - A1. Using poor quality or prohibited pellet fuel will have a negative effect on the function of your pellet stove and can also lead to the warranty becoming null and void, as well as the product liability connected with this.

Note

Burning straw, maize, woodchips etc. is not permitted! Observe waste incineration legislation! Non-observance of these regulations makes void all warranty and guarantee claims and may impair the safety of the unit!

Pellet container refilling during operation

Note

CAUTION when filling! Avoid direct contact between the plastic bag and the hot stove. Immediately remove all pellets that have fallen on the hot stove or next to the container!

We recommend always having a suitable amount of pellets in the container to prevent the fire from extinguishing due to a lack of fuel. Check the level frequently. However the container lid should be kept closed, except during filling.

If you refill the container during operation (open the container lid), the fan will speed up and the pellet auger will stop; operation will only be continued once the container lid is closed again.

Pellet container capacity: (see TECHNICAL DATA)

Pellet storage

In order to guarantee problem free burning of the wooden pellets, it is imperative necessary to store the fuel as dry as possible and free from impurities.

Pellets should not be kept in sacks outdoors or stored in a manner where they are exposed to the environment. This can lead to blockages in the screw conveyor.

Note

Screw stoppers are excluded from the warranty.

7. TECHNOLOGY AND SAFETY FUNCTIONS

The technological advances in your new combi stove are the result of years of testing and practical experience. The practical advantages of your pellet stove are convincing:

Operating comfort

All functions can be regulated using the integrated touch display. The user-friendly interface permits extremely easy operation.

Top efficiency - lowest emissions

All processes in the stove are fully automated. The parameters

- Air control
- Temperature monitoring
- Pellet dosing

are continuously optimised. This guarantees optimum combustion. The result are low consumption and very good exhaust gas values that even undercut the legally permitted limits.

Note

Due to the automated control, you may hear flame fluttering, falling pellets and sounds from the activation of the electronic components during operation.

DAR - Dynamic Air Regulation

A differential pressure sensor in the supply air system measures the air flow. The fan speed is adjusted automatically and guarantees optimum combustion.

The air pipe of an external supply air pipe can also be monitored in this way.

Pressure monitoring

The negative pressure in the combustion chamber is continuously monitored during operation. Below a defined threshold, a correct operation can not be guaranteed and the unit will switch off with the fault message „NOT ENOUGH LOW PRESSURE“ for safety reason.

Note

If the stove is used in a habitation together with a kitchen hood or a ventilation (WC) it might happen that the built-in pressure switch stops the stove. If using the hood make sure that an adequate supply of air is ensured.

Low-temperature shutdown

The unit switches off if the stove cools below a minimum temperature. This switch-off may occur if pellet ignition is delayed.

Electrical excess current protection

The stove has a main fuse (at the rear) to protect against excess current.

Automatic cleaning cycle

The speed of the flue gas fan is increased every hour for a short period to blow ash from the burn pot, increasing the operational safety. The status indicator CLEAN appears on the display.

Only for stoves with turning grids:

Every 6 hours (interval adjustable) an additionally automatic big cleaning cycle is performed. The stove stops, the automatic cleaning tilts the grid and then re-ignites the stove. The status indicator BIG CLEAN appears on the display continuously. The cleaning procedure with tilting the grid is to convey ash and clinker from the burn pot into the ash drawer.

Note

This additional function does not replace a manual cleaning as described in CLEANING and MAINTENANCE, as this is absolutely necessary to do regularly.

Note

Due to the turning grid there is a certain generation of noise during the automatic cleaning cycle (START or BIG CLEAN).

Component monitoring

All the electrical components used are continuously monitored during operation. If a component is defective or can no longer be actuated correctly, then operation is stopped and a warning or error message is issued (see MANUAL TOUCH DISPLAY).

Auger motor monitoring

Too long or wet pellets as well as pellets with too high dust content (see BRIEF INFORMATION ON FUEL PELLETS) can cause so-called "auger jammers" in the auger channel. This may also happen if the pellets accumulate in the burn pot and the backlog reaches into the chute. The auger motor reacts in both cases with an increased current consumption, which causes the error message: DISCHARGE MOTOR BLOCKED. The stove will be stopped. Please call the customer service immediately.

Power failure (during heating)

After a brief power failure, the operating functions that were set before the power failure, continues. If the power failure lasts longer, the stove goes to start phase if sufficient temperature or embers are present. If the power failure lasts too long, the stove goes into the stop phase. The flue gas fan continues to burn any pellet residues (approximately 10 minutes). Then it will restart automatically.

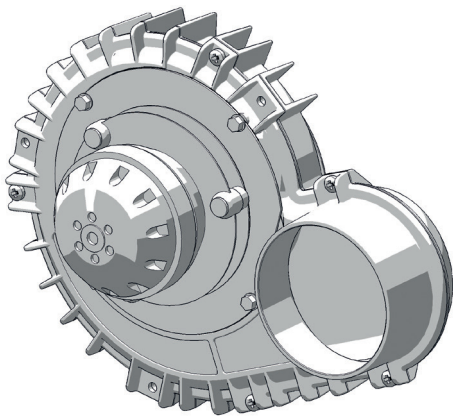
Power failure (during the initial stage)

After a brief power failure the boot process continues. If the power failure lasts longer, the stove is in the stop phase. The flue gas fan continues to burn any pellet residues (approximately 10 minutes). Then it will restart automatically.

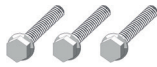
8. ASSEMBLY RIKA MULTIAIR

Scope of Delivery E15633

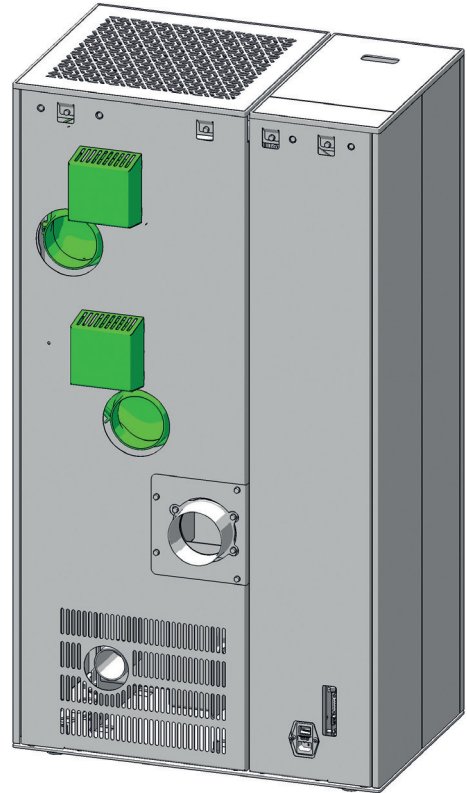
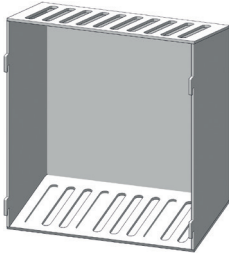
B17527 Convection fan complete



3x N112040 Duo Taptite



L02724 Motor cover



General information

- The convection air amount and temperature is designed for heating one or, if two fans are installed, two additional rooms.
- Note the regional specific fire safety regulations and clarify the connection situation with the competent authority.
- The max. temperature of the convection air is 180° C at the air outlet.
- The convection air duct should be as short as possible.
- Keep the number of deflections as small as possible.

Note

Please pay attention to the national and country-specific building and fire regulations when connecting the convection air pipes. Installation and assembly must be performed by a trained specialist only.

Note

Only work on the unit when the mains plug has been disconnected and the stove has cooled down completely.

Note

During assembly / dismantling do not allow objects (screws etc.) to fall into the pellet container – they can block the screw conveyor and damage the stove.

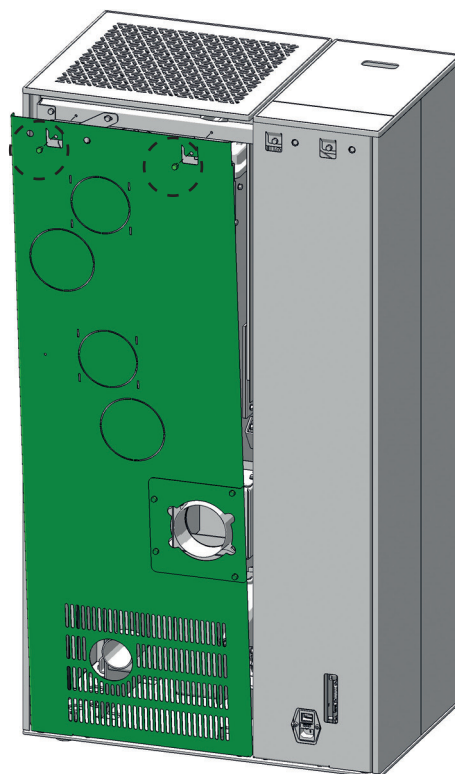
Note

During any conversion work, take particular care of your fingers and any panels and stove attachments. Select soft bases to prevent scratches to your living space furniture and stove panels.

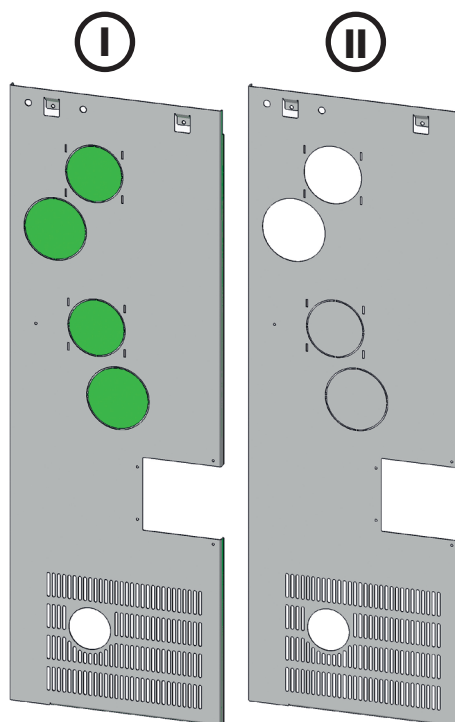
Mounting Convection Fan

Prepare the following at the stove:

Loosen the 2 hexagonal screws on the rear panel. The rear panel tilts backwards. Disconnect the earthing cable. You can then lift it upwards.



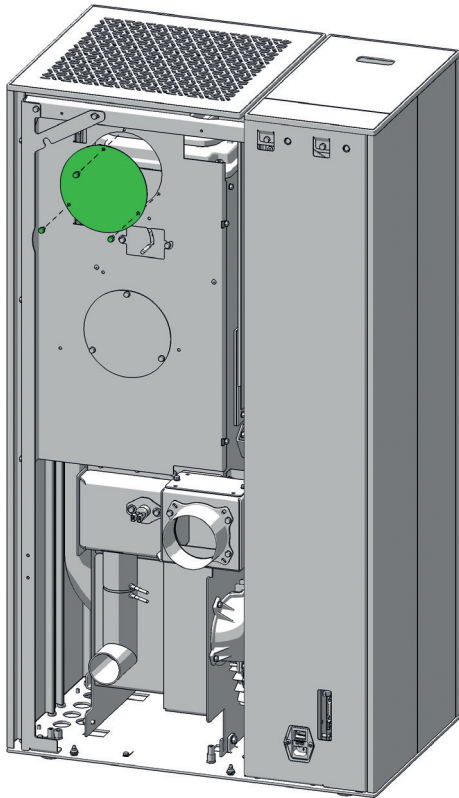
Depending on the desired option cut off the two upper markers for one fan, for the second fan in addition the two bottom markers.



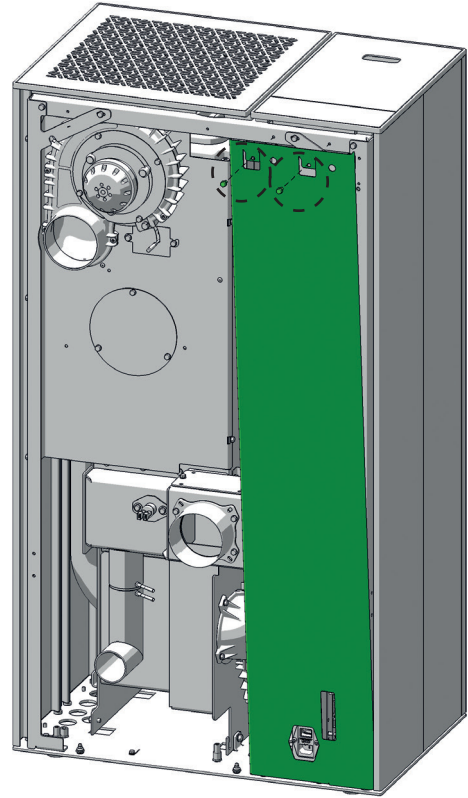
Note

The following steps are identical if you install a second convection fan.

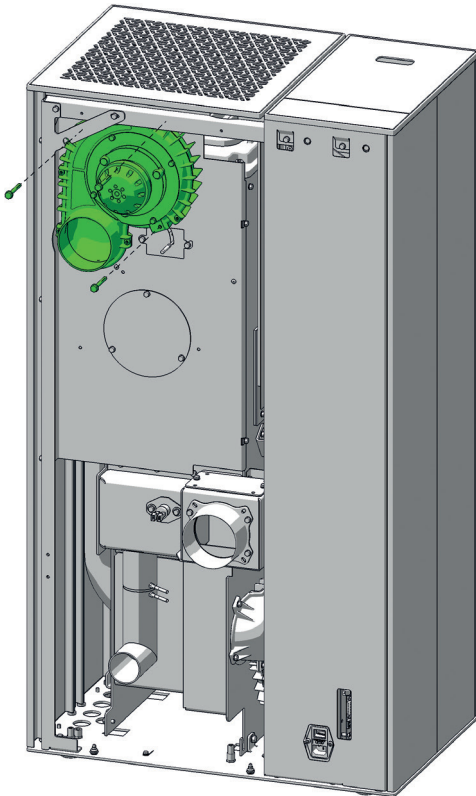
Loosen the 3 hexagonal screws and remove the sheet covering.



Loosen the 2 hexagonal screws on the rear panel. The rear panel tilts backwards. Disconnect the earthing cable. You can then lift it upwards.

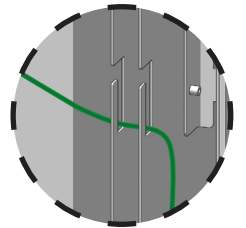
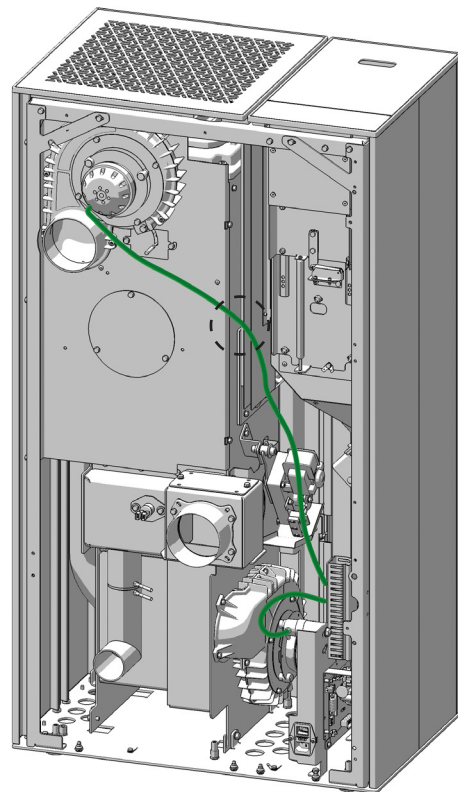


Screw the B17527 MULTIAIR fan on using the 3 Duo TapTite N112040 hexagonal screws.

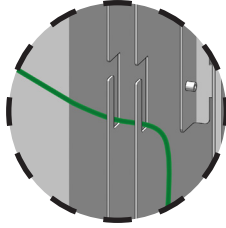
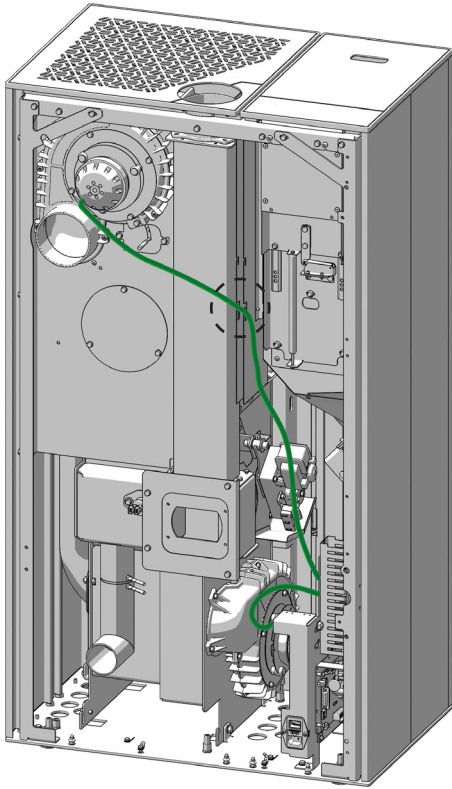


Run the MULTIAIR fan cable through the cable guide on the right and then down to the mainboard.

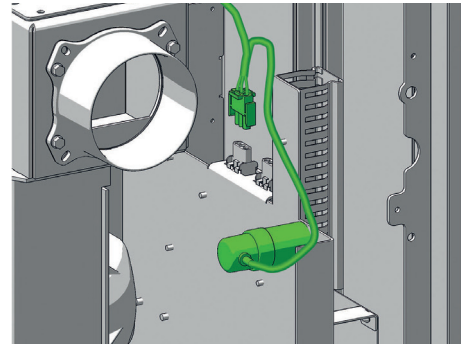
CABLE ROUTING REAR CONNECTION



CABLE ROUTING FLUE PIPE CONNECTION AT THE TOP

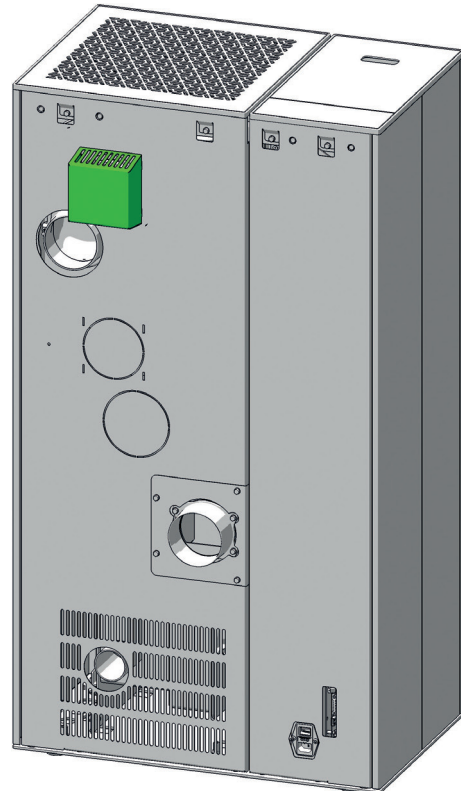


In the cable channel are the three pin connector **M3** for the upper **MULTIAIR fan 1** and the plug **M4** for the lower **MULTIAIR fan 2**. Insert the correct cable and put all cables and plugs back into the cable channel.



ZE

Install the rear walls of the stove. It is mandatory to attach the motor cover on the rear wall.

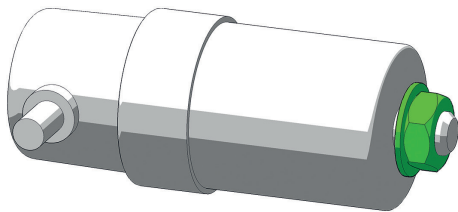


Note

The MULTIAIR and flame sensor cables are heat-resistant and harmless due to the low temperatures in this area, and the heat resistance of the cables ensures safe and reliable use.

Attach the condenser (with 2 blowers both capacitors) in the free slots behind the cable channel.

Loosen the nut and the ring from the capacitor till the end from the thread.



Note

Operation without a motor cover and without air duct is not allowed for security reasons. Disregard voids your warranty and no liability is accepted for damage.

Function test and settings

Connect the power cord back in and select the **Setup menu / submenu Service**. Perform a relais test to check the correct function of the Multi Air fan.

Select the **Setup menu /submenu MultiAir fan**. Switch the **MultiAir 1** to **ON** and you will get access to fan speed and fan adaptation.

Fan level

The volume of convection air is adjustable from AUTO (adapts automatically according to heating power), over to Level 1 (min) and level 5 (max).

Fan area

In addition, it is possible to adapt the Multi Air fan speed (AUTO, level 1 to level 5) within +/- 30% of fan speed.

9. COMFORT OPTIONS

Room sensor, Radio room sensor

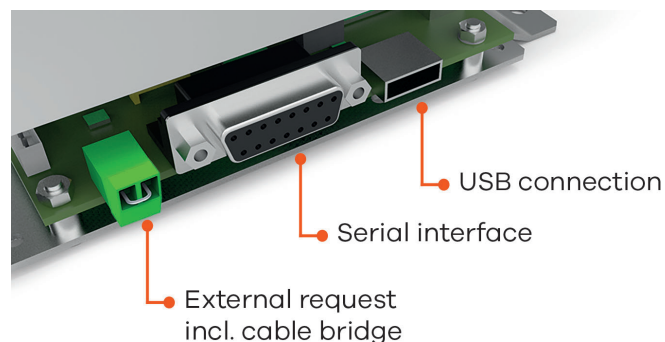
This option permits control of your stove via room temperature. You can set both the room temperature and the heating times required. A room temperature selected by you is observed during the heating times.

Please see the operating instructions for the option room sensor and wireless room sensor for more detailed information.

Interface for various options

for various options

The ROOM SENSOR and the WIRELESS ROOM SENSOR are to be connected to the interface (stove rear) using the connection cable supplied.



(condition as delivered)

External request

- Low-pressure controller* for multiple occupancy (e.g. BROKO - ON by default, see Settings)
- External room thermostat*, Rotary controller* (in conjunction with MULTIAIR)
- Contactor (e.g. exhaust hood)*

* remove cable bridge and connect a 2-pin cable with a section between 0.5 and 0.75mm² instead.

It will take approximately 1 minutes for your stove to shut down after receiving an external shut-down request.

Note
Operation is not possible unless either the cable bridge, or an external request (e.g. an external room thermostat) are connected. The external request has priority over all operating modes (MANUAL / AUTOMATIC / COMFORT).

Serial interface

- RIKA room sensor/ RIKA radio room sensor (available on request)
- RIKA GSM Control (available on request)

USB connection

- RIKA FIRENET (available on request)

External room thermostat

Your stove has an interface on the rear wall to which you can connect a customary room thermostat. This requires a 2-pole cable of 0.5 – 0.75 mm² cross-section that you have to connect instead of the cable bridge fitted for delivery.

External connection cable bridge

If the control of your stove is to be assumed by an external room thermostat, you have to connect your external room thermostat (1) instead of the standard integrated cable bridge (2).

The connected room thermostat can be operated in either MANUAL or AUTOMATIC MODE. In both MODES, the current set heat output is used, in AUTOMATIC MODE the heating times set at the stove can also be activated.

You can see whether the external demand is currently activated in the INFO main menu in submenu item Info - inputs.

If your stove receives an external demand to stop operation, it takes approx. 5 minutes until it switches off. All further settings required to your thermostat can be taken from the respective room thermostat operating instructions.

Note

Operation is not possible unless either a cable bridge or an external room thermostat is connected. The external demand has priority over all operating modes (MANUAL/AUTOMATIC/COMFORT).

Option RIKA FIRENET 2nd Generation

Only for combination and pellet stoves with touch panel version V2.29 or higher.

The FIRENET module connects your stove to the Internet. You can operate the stove with any Internet-enabled device (tablet, PC, Smartphone ...). So you retrieve the operational status, various information and make your settings remotely.

For further information, please contact your dealer.

RIKA VOICE

for combi and pellet stoves with touch display, version V2.26 or above, only and in combination with the RIKA Firenet module and Amazon Alexa

RIKA VOICE allows you to control your RIKA stove by simply speaking to it. Power on or off, switching between modes or adjusting the preferred heat output or room temperature: a few words is all it takes!

More detailed information could be obtained at www.rika.at or from your dealer.

10. MAINTENANCE

The frequency with which the stove requires cleaning and the maintenance intervals depend on the fuel you use. High moisture content, ash, dust and chips may more than double the maintenance required. We would like to again point out that only tested and recommended pellets or dry logs may be used as fuel.

Note

Ash may contain embers – only place ash in sheet steel containers. **FIRE RISK!** In a cold state, dispose it of in the household waste.

Note

We recommend at least once a year to have all maintenance carried out by your RIKA dealer.

Open the combustion chamber door

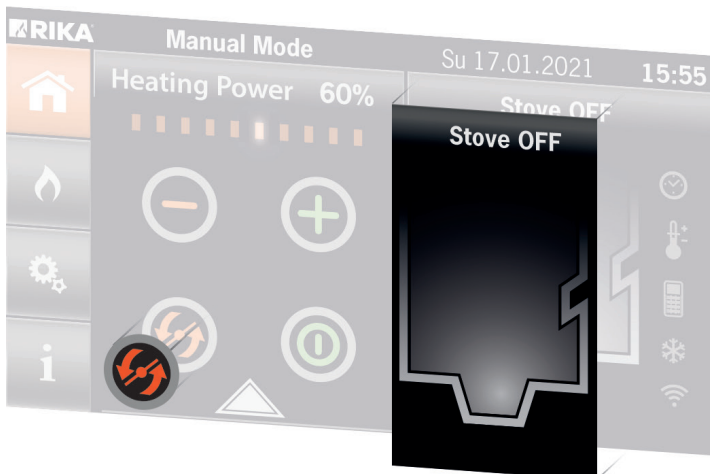
To open or close the combustion chamber door and the door of the ash-chamber use the included key. This key can be stored on the front behind the lower decorative door.

Cleaning the fire trough

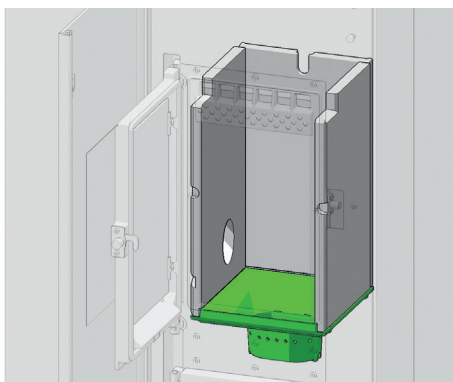
(If necessary, but at least 1x a week)

Despite the automatic ash dumping prior to and during heating operation you have to remove ash or clinker from the combustion chamber, from the fire trough and the turning grid regularly.

Use the cleaning function to put the grid vertical.



Remove the clinker using the brush supplied and sweep the ashes with a broom in the ash tray. Vacuum out the fire trough.



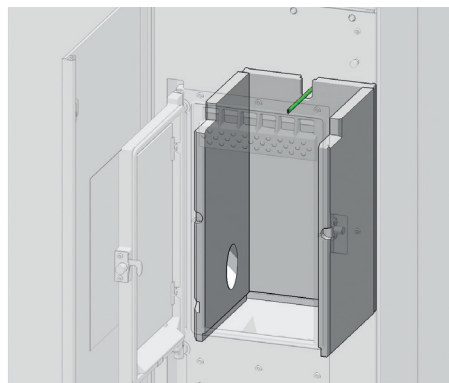
Do not damage the ignition when cleaning with the brush. Vacuum out the pipe of ignition.

Note

Clean the fire trough regularly. Only clean when cold, when embers are extinguished!

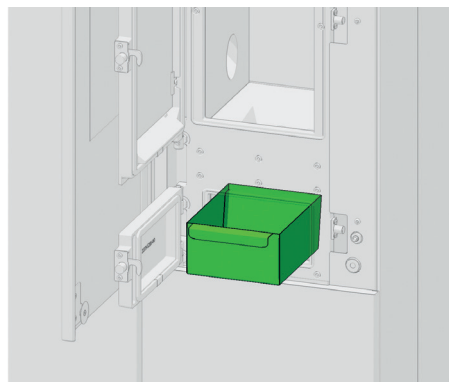
Cleaning the flame temperature sensor

Remove the dust deposits from the sensor at regular intervals. Use a clean cleaning cloth or newspaper.



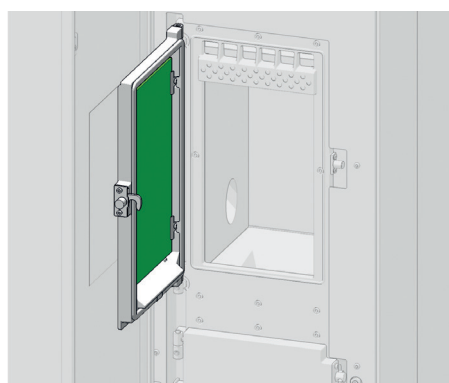
Empty the ash drawer

Open the ash-chamber door with the included key and empty the ash drawer regularly. The ash drawer is simply pulled forward.



Cleaning the door glass

(If necessary)



The viewing window becomes coated in the case of solid fuels, particularly with the very fine ash of wood pellets, light or dark depending on the pellet quality (especially with low output). This is a natural process and does not constitute a defect. The glass can be cleaned best with a moist cloth. Stubborn dirt can be removed with a special cleaner available from your stove dealer. Usual cleaners containing acid or solvents can be too harsh and damage the glass.

Cleaning painted surfaces

(If necessary)

Wipe of the painted surfaces with a damp cloth, do not scrub. Do not use solvent-containing cleaners.

11. CLEANING

Tip

Your RIKA dealer will be happy to advise you and can offer you a maintenance contract.



Depending on pellet consumption, a message prompting cleaning of the stove appears on the display in regular intervals. This message can be acknowledged on the Touch Display, while continuing operation. Perform a cleaning cycle at the next opportunity.

Subsequently, reset the counter in the **SETTINGS** menu / **RESETS** submenu, as per operating instructions of TOUCH DISPLAY.

Tip

The message will only stop reappearing once you have reset the feed volume in the **SETTINGS** / **RESETS** menu.



Note

Your stove must be switched off and cooled before any cleaning work is performed. Only work on the unit when the mains plug has been disconnected.



Cleaning the convection air openings

Vacuum clean any dust deposits from the convection air openings at regular intervals.

The stove should be cleaned thoroughly prior to the start of the heating season to prevent excess odour.

Note

To prevent your stove from overheating of the internal components, do never cover the convection fins!



Combustion air - intake

Note

Only when the stove is cold! You could vacuum out embers – FIRE RISK!



If necessary, please also clean the air intake with a Hoover.

Cleaning the pellet container

Do not refill the completely empty container immediately; remove the residues (dust, chippings etc.) from the empty container. The unit must be disconnected from the mains!

Cleaning the flue gas channels

(annually)

Remove the flue pipes. Inspect and clean chimney connection. Brush off any soot and dust deposits in the fire and in the flue pipes and vacuum.

Note

Accumulated fly ash in the flue gas channels may impair the performance of the stove and pose a safety risk.



Check seals

(annually)

Check the condition of the seals at least once a year. Repair or replace seals depending on condition.

Note

Only intact seals ensure your stove works perfectly!



Tip

You will find the seals and sealing kit in the spare part overview.



Check bearings

(annually)

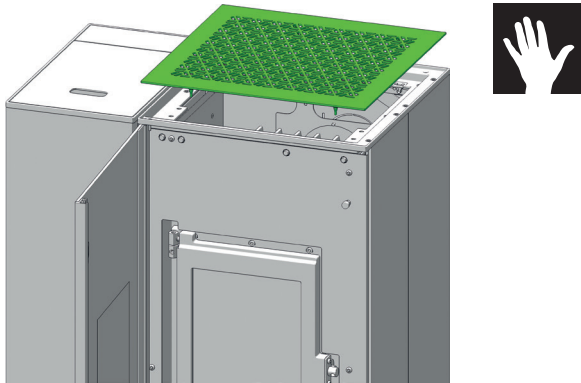
All built in bearings (pellet screw, turning grid) should be checked. Clean or replace bearings depending on condition.

Cleaning flue gas paths

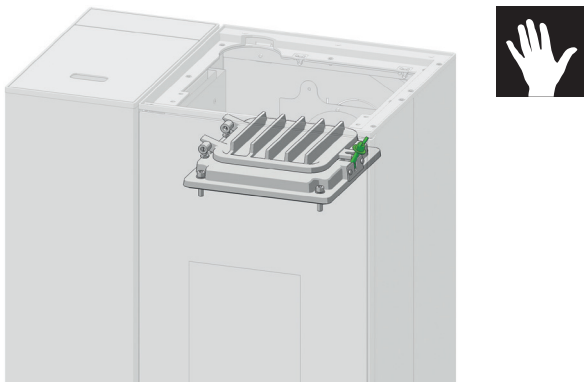
The flues are lateral the combustion chamber.

Open the decorative glass door by pushing the button on the display before you unplug the stove from the power supply.

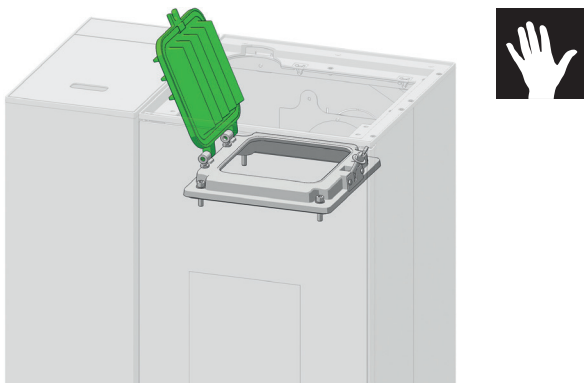
Remove the cover by simply lifting.



Loosen the wing nut on the lid of the cleaning opening, tilting the eyescrew sideways.

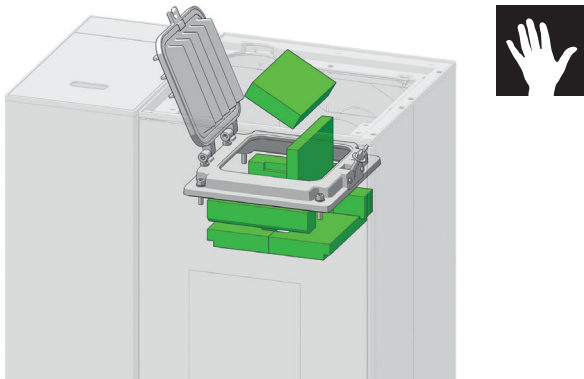


Open the lid as far as the stop.

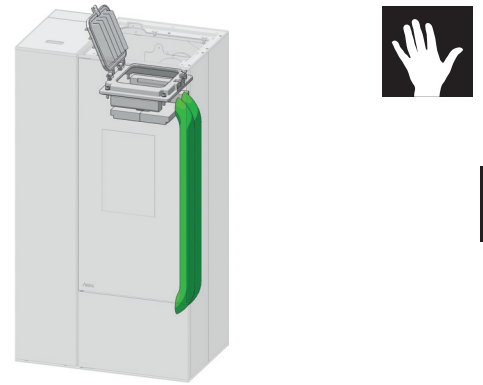


Note
Please pay attention to your fingers! They could be damaged by the lid falling down.

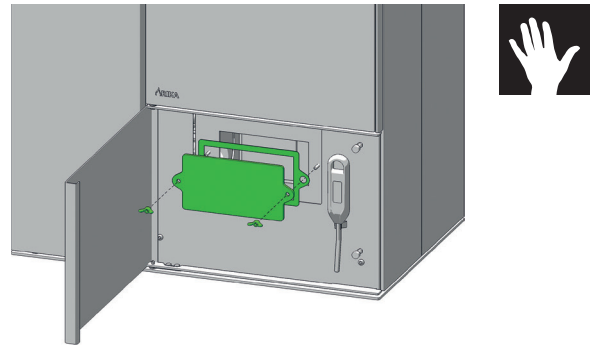
Remove the horizontal, upper and vertical deflection plate.



Now clean the flues and baffles with the supplied brush. Vacuum the combustion residues with a vacuum cleaner.

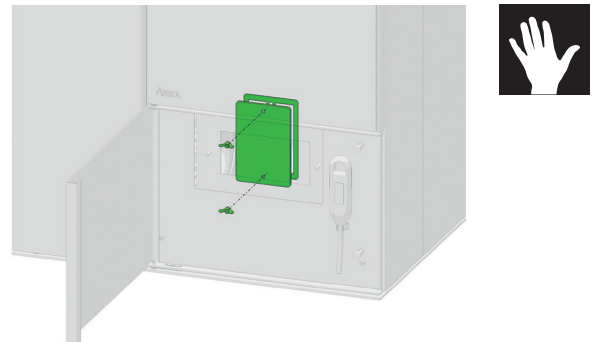


Unscrew the two wing screws under the ash door and remove the outer cleaning lid.

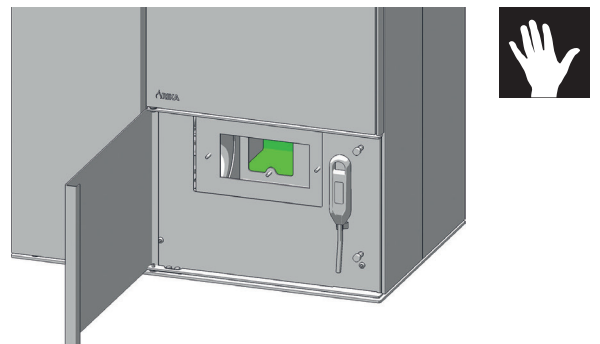


Vacuum the combustion residues off the flue gas collecting duct, especially the areas to the side flues.

Unscrew the 2 wing nuts on the rear cleaning lid and remove the same.



Thoroughly vacuum the combustion residues off the flue gas chamber.



Install the removed parts in reverse order again.

Then carefully place the convection fins in the supposed recess and press down firmly with your hand until the cover locks into place.

Note
Your stove may suck in false air via incorrectly sealed cleaning covers; this air may lead to incomplete combustion in the fire trough and thus piling up of pellets. DANGER of FIRE!
To ensure the proper operation of your pellet stove, replace the defect (porous, frayed) seals after cleaning and maintenance.

12. PROBLEMS - POSSIBLE SOLUTIONS

Problem 1

Fire burns with weak, orange flame. Pellets heap up in fire trough, window soots up.

Cause(s)

- Insufficient combustion air
- Poor chimney draught
- Stove is sooted over inside

Possible solutions

- Remove any ash or clinker from the fire trough that may block the air inlets. (see CLEANING/MAINTENANCE)
- If possible swap to better pellet quality.
- Check whether flue gas pipes are blocked with ash (see CLEANING/MAINTENANCE).
- Check whether the air intake or flue tubes are blocked.
- Check door and cleaning cover seals for leaks (see CLEANING/MAINTENANCE)
- Clean fan (see CLEANING/MAINTENANCE)
- Have service performed by authorised specialist company.
- The window has to be cleaned from time to time (see CLEANING/MAINTENANCE)

Problem 2

Stove smells strongly and smokes outside.

Cause(s)

- Burning-in phase (taking into service)
- Stove has accumulated dust and/or dirt

Possible solutions

- Wait to end of burning-in phase and vent the room sufficiently.
- Vacuum off any dust deposits from the convection air openings at regular intervals

Problem 3

Flue gas discharge when wood is added and during heating phase.

Cause(s)

- Leaking cleaning openings
- Chimney draught too low
- Leaking flue pipe connection

Possible solutions

- Check seals and replace (fire door, cleaning lid, ..)
- Check chimney
- Check connections and if necessary re-seal

Note

Please note that checks on the control system and wiring may only be performed in unit switched dead. Any repairs may only be performed by trained specialists.

Tip

If a malfunction message occurs, the cause must first be remedied; the unit can be put back into operation by acknowledging the malfunction at the internal unit.

13. INSTRUCTIONS FOR COMMISSIONING PROTOCOL

FOR PELLET AND COMBI STOVES

The commissioning protocol is to be treated as a documents and serves as the basis for the warranty and guarantee terms. It is to be completed entirely, in particular the stove data and addresses, the work to be performed is to be ticked off after completion. The signatories confirm with their signatures that all the items on the list have been concluded properly.

Note

Please return 1 completed protocol for putting into service to RIKA Innovative Ofentechnik GmbH, Müllerviertel 20, 4563 Micheldorf, Austria.



Electrical periphery

It is important that the connection socket in the electrical periphery is earthed. The operability of any room thermostat present must be checked. The execution of commands is to be established by phoning in the case of a GSM modem.

Exhaust gas system

The exhaust line, stove and combustion air inlet are part of the combustion system as a whole; therefore the correct execution must also be checked. The plug connections should be tight in general since the system works with excess pressure. The exhaust tube has a diameter of 100 mm for pellet stove, and of 130 mm / 150 mm for the combi stove, which is sufficient for short distances. In the case of several changes in direction, the resistance of the exhaust system can increase with the flue to such an extent that the combustion quality suffers and/or noise arises from the greater flow speed. Correct determination of the chimney draught can only be performed at nominal thermal output and serves to evaluate the chimney. If the draught is more than 15 Pa, then a draught limiter should be installed.

Stove functions

These are the basic stove functions that are to be checked and ticked off. The stove is ready for operation if these functions are ensured.

Operator instruction

This is one of the most important points in the putting into operation. It is very important that the operator understands the stove properly and is prepared to assume responsibility for the basic tasks required for operational safety.

In particular the connection between special features of a biomass heating system and his obligations as well as the warranty and guarantee terms must be explained. e.g. non-tested pellets and screw blockers, lack of cleaning or maintenance and stove malfunctions. Thorough instruction can prevent many complaints.

Stove functions

Explanation of the processes in the stove during ignition, normal operation, cleaning phase etc.

Control

Explain operator's possibilities to intervene, empty pellet container, room thermostat, GSM modem, functions and settings, program times if necessary. Operating instructions: Handover and reference to the content to the following points, is a document.

Warranty terms

Difference between warranty (statutory) and guarantee (voluntary), terms of guarantee, determination of wearing parts, reference to pellet quality to be used and the consequences of poor quality.

Cleaning instructions

Ash and dust occurs with a biomass heating unit. The fire trough is to be cleaned regularly with regular heating operation (in the case of pellet operation, the drilled air holes in particular must be free of residues). The ash drawer is to be emptied regularly. The flue gas pipes are to be cleaned once or twice in the heating season depending on stove type; by a specialist company is best.

Maintenance

Note

We recommend at least once a year to have all maintenance carried out by your RIKA dealer.



Combustion

All doors must close tightly to prevent intake of false air.

Installation address

Surname, forename

Street, number

Post-code, city

E-mail, phone

Device data

Device type

Serial number

Cladding undamaged? YES NO

Electrical peripherals

Connection socket grounded

Room thermostat Model

FIRENET Model

Inspection of system and safety components

Smooth operation of flues gas flap checked (combi stove)

Smooth operation of backfire safety flap checked (combi stove)

Differential pressure sensor (building) YES NO

Installation

Proper installation according to installation and user manuals YES NO

Comments

ATTENTION:
Compliance with national regulations and laws as well as locally applicable rules and regulations is within the responsibility of the specialist contractor commissioned with installation.

Flue gas line/chimney

Chimney type BRICKS STAINLESS STEEL FIRECLAY

Chimney diameter Chimney height

Chimney – approved by inspection authority? YES NO

Chimney system INDOOR OUTDOOR

Above sea level

Device functions

Relay testing (component testing)

Initial user instruction

Pellet quality explained (env. standard/DIN plus/ENplus-A1)

Device function/control explained

Cleaning & maintenance interval, maintenance checklist explained

Maintenance contract YES NO

Guarantee conditions described

Warranty conditions explained

RIKA retailer

Retailer stamp

Software version

Display version

Year of production

GSM modem Function checked

Phone provider

Fire alarm in place? YES NO

Fire-proof floor covering in place? YES NO

Other

Room height

Room ventilation YES NO

Exhaust hood (outdoor connection) YES NO

WC extraction YES NO

Central vacuum cleaning system YES NO

Number of deflector plates Length of smoke pipes

Smoke pipes in connection system WITH WITHOUT SEALING LIP

Plaster openings YES NO

Chimney draft (full load) Outside temperature

Independently of room air YES NO

Door/bricks/cladding checked and adjusted(function/gaps)

Soot brush Door opener Thermal gloves

Care and maintenance log available and handed over to the user

Pictures made of ACTUAL condition

User manual, warning and safety information explained

Stove taken into operation with the client

Stove switched off and handed over

RIKA Innovative Ofentechnik, 4563 Micheldorf, Müllerviertel 20, Austria, hereby confirms that the provided personal data is exclusively used for in-house purposes, processing and recording. The client confirms the reception of correct and clear instructions. Our general terms and conditions shall apply.

I consent to the collection, saving and use of my personal data (name, address, e-mail) by RIKA Innovative Ofentechnik GmbH for marketing and information purposes. This consent can be withdrawn at any time and without any charge and formless under marketing@rika.at.

User signature

Place, date

Signature & stamp of commissioning technician

ORIGINAL - REMAINS WITH CLIENT

14. GUARANTEE CONDITIONS

We recommend having the installation performed by a RIKA-certified technician.

These guarantee conditions only apply for the European mainland. For all other countries, the separate conditions of the importer in the respective country apply. In cases of doubt, or in the case of missing or incorrect translations, the German version is always the sole valid version.

In the interest of ensuring damage limitation in good time, the guarantee claim should be sent in writing to the RIKA specialist or contract dealer.

In this event, the following documents must be presented:

- Written reason for complaint
- Invoice
- Commissioning record
- Model name and serial number

RIKA GUARANTEE

5 YEARS

on the welded stove body.

Up to 5 years or 10,000 kg of consumed pellets for pellet stoves.

The RIKA guarantee is a commercial or manufacturer's guarantee (subject to certain exceptions).

This relates exclusively to defects in the material and processing, and to the supply of replacement parts free of charge. Working hours and travel times are not covered by the manufacturer's guarantee.

The guarantee is conditional on the following:

- Only original parts supplied by the manufacturer must be used.
- Professional installation of the stove in compliance with the respective operating manual valid at the time of purchase.
- The stove must be connected by a professional certified for that type of stove.
- The commissioning is performed by a RIKA-certified technician.

If these points are not complied with, the guarantee claim is void!

Any costs incurred by the manufacturer as a result of an unjustified guarantee claim will be charged back to the claimant. Likewise excluded from the guarantee is any damage resulting from or caused by non-compliance with the manufacturer's instructions for operating the appliance, e.g. overheating, use of non-approved fuels, unprofessional interference with the appliance or the flue pipe, a flue suction that is incorrectly adjusted to the appliance or is insufficient or too strong, condensation water, non-performance of or inadequate maintenance or cleaning, non-compliance with the applicable building regulations, improper operation by the operator or third parties, transport and handling damage.

STATUTORY WARRANTY PROVISIONS REMAIN UNAFFECTED BY THE GUARANTEE!

15. WARRANTY CONDITIONS

As a consumer, you are entitled to the warranty, which covers any defects at the time of delivery. The warranty is two (2) years from the date of delivery of the stove.

See the respective general terms and conditions of business and warranty conditions of the RIKA dealer.

The warranty does not cover:

1. Wearing parts (normal wear and tear not resulting from a defect)
2. Parts in contact with fire, e.g. glass, combustion troughs, grates, baffle plates, deflectors, combustion chamber cladding (e.g. refractory clay), ceramics, ignition elements, sensors, combustion chamber sensors and temperature monitors
3. Paint, surface coatings (e.g. handles, cover panels)
4. Seals
5. Natural stone, thermal stone, etc.

valid from: 01.07.2023

16. DISPOSAL INFORMATION

RIKA Innovative Ofentechnik GmbH is ensuring that its products are eco-friendly throughout the product life cycle. This is why our commitment for electronic products goes beyond the end of their product life cycle.

Note

For proper disposal of the device, we recommend contacting a local waste disposal company.

Note

Please contact your RIKA specialist dealer for professional disassembly/dismantling of the device.

Note

We recommend that you remove the parts that come into contact with the fire, such as glass, fire trough, grates, draught plates, baffle plates, combustion chamber linings (e.g. fireclay), ceramics, ignition elements, sensors, combustion chamber sensors and temperature monitors and dispose of them in the household waste.

Information on the individual components of the device

- **Electrical or electronic components:** Remove the electrical or electronic components from the device by disassembling them. These components must not be disposed of in the residual waste. Proper disposal should be carried out via the waste electrical equipment take-back system.
- **Fireclay in the combustion chamber:** Remove fireclay components that have been installed in the combustion chamber from the appliance. If present, fastening elements must be removed beforehand. Fireclay components that come into contact with the fire or flue gas must be disposed of; reuse or recycling is not possible.
- **Vermiculite in the combustion chamber:** Remove vermiculite that has been installed in the combustion chamber from the appliance. If present, fastening elements must be removed beforehand. Vermiculite in contact with fire or flue gas must be disposed of; reuse or recycling is not possible.
- **Glass ceramic pane:** Remove the glass ceramic pane using a suitable tool. Remove the seals and separate them from the frame if present. Transparent glass ceramic can generally be recycled, but must be separated into decorated and non-decorated panes. The glass ceramic pane can be disposed of as construction waste.
- **Sheet steel:** Disassemble the sheet steel components of the device by unscrewing or flexing (alternatively by mechanical crushing). If present, remove the seals beforehand. Dispose of the sheet steel parts as metal scrap.
- **Cast iron:** Disassemble the components of the cast iron device by unscrewing or flexing (alternatively by mechanical crushing). If present, remove gaskets beforehand. Dispose of the cast parts as metal scrap.
- **Natural stone:** Remove existing natural stone mechanically from the unit and dispose of as construction waste.
- **Gaskets (glass fibre):** Remove the gaskets mechanically from the device. These components must not be disposed of with residual waste, as waste glass fibre cannot be destroyed by incineration. Dispose of gaskets as glass and ceramic fibres (artificial mineral fibres).
- **Metal handles and decorative elements:** If present, remove or dismantle metal handles and decorative elements and dispose of them as metal scrap.

Note

Please observe the local disposal possibilities for all components.

Extract from the waste code of the European Waste List Regulation

Waste code	Waste type
15 01 03	Wooden packaging
17 01 03	Tiles and ceramics
17 02 02	Glass
17 04 05	Iron and steel
17 05 04	Soil and stones

Electronic Waste

In accordance with the European Directive (2012/19/EU) Waste Electrical and Electronic Equipment (WEEE) and other local regulations, RIKA supports the setup of take-back systems and recycling infrastructures.

Old devices can easily be returned to the municipal waste collectors for recycling purposes. Please observe the national regulations to that end.



The device may not be disposed of in the normal household waste.

17. COMPLIANCE WITH EU REGULATIONS



This product complies with the requirements of the European Community.

Hereby, RIKA Innovative Ofentechnik GmbH declares that this device is in compliance with the essential requirements and other relevant provisions of Directive 2014/30/EU, 2014/35/EU, 2014/65/EU and 2011/1185/EU.

The most recent and valid version of the DoC (Declaration of Conformity) can be viewed at www.rika.at



RIKA Innovative Ofentechnik GmbH

Müllerviertel 20

4563 Micheldorf / AUSTRIA

Tel.: +43 (0)7582/686 - 41, Fax: -43

verkauf@rika.at

www.rika.at

In case of doubt as well as missing or incorrect translations, the German version is the only valid one. Subject to technical and visual changes as well as layout and printing errors.

© 2024 | RIKA Innovative Ofentechnik GmbH