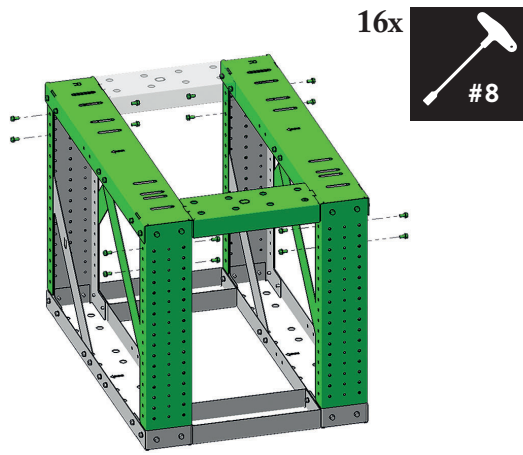
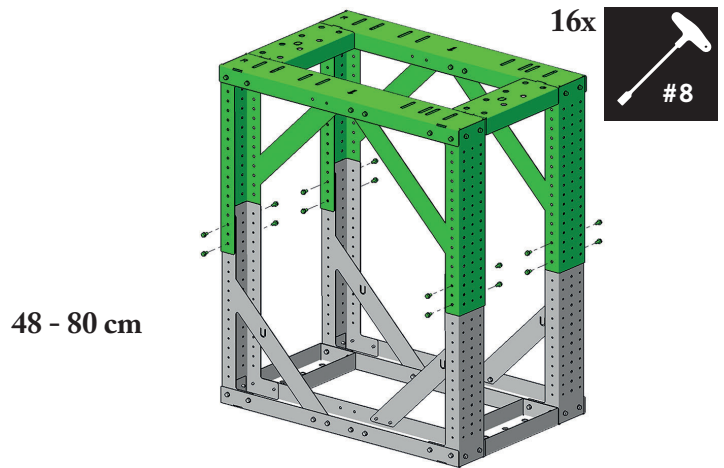


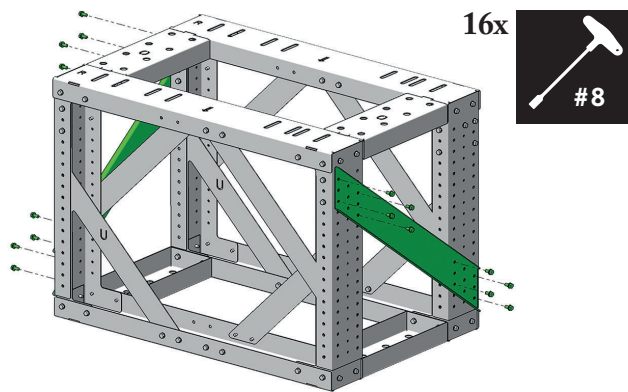
Step 1



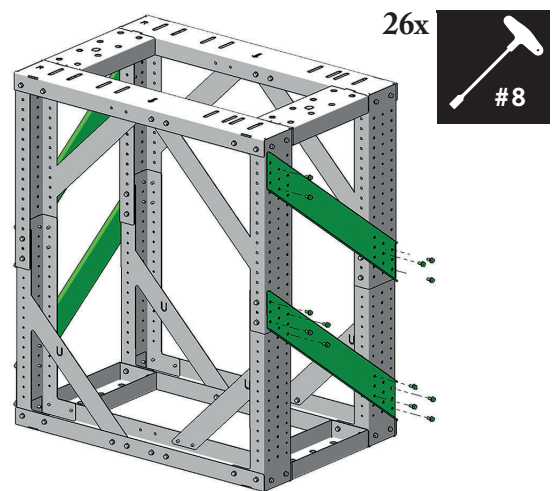
Step 1a



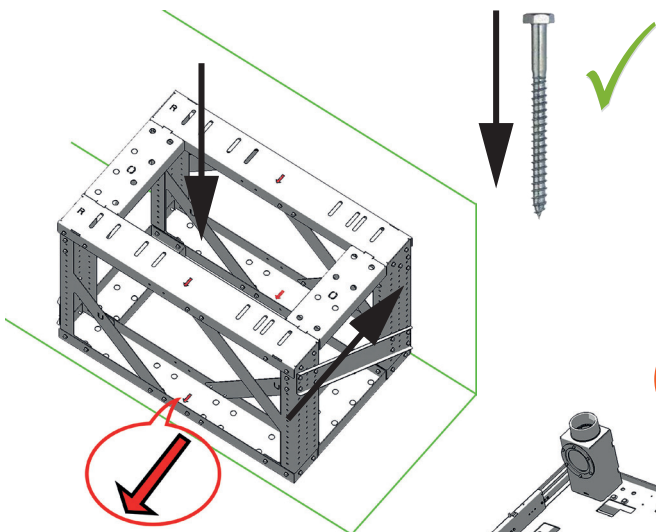
Step 2



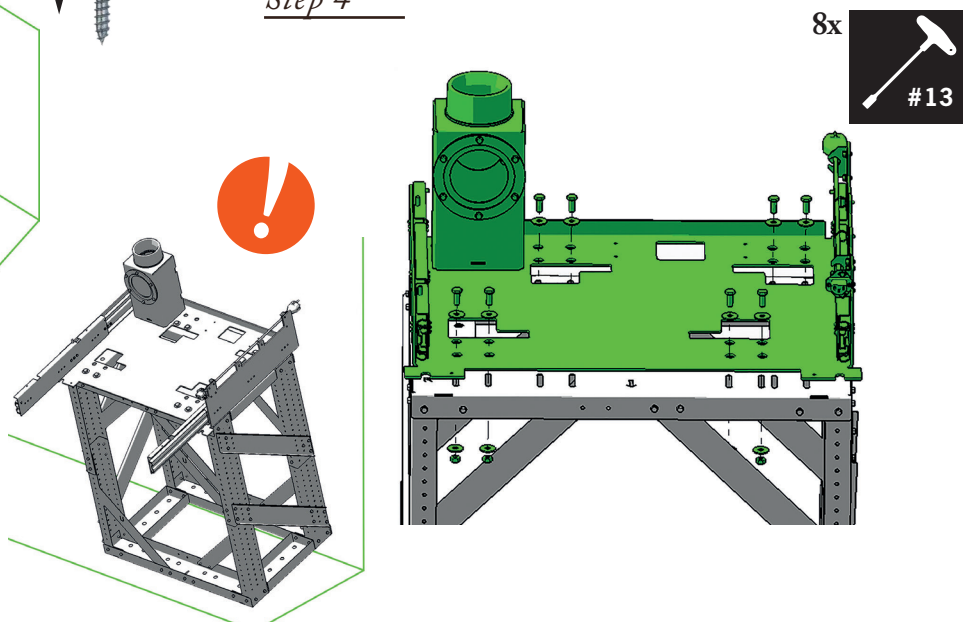
Step 2a



Step 3



Step 4



Pay attention to a reliable fastening! Since the installation situation, depending on the structural condition on site is different, the responsibility is at the installer of the stove. Please note the weight specifications in the technical data.